

SH600 SERIES Stainless Steel Heater

GENTEC® SH600 series stainless steel heaters are mainly used in stainless steel piping systems for carbon dioxide (CO₂) and nitrous oxide (N₂O) to prevent freezing during gas use. It is suitable for incubators for medical reproductive gas supply system (In Vitro Fertilization/IVF system) and the cultivation of bacteria (Biotechnology).



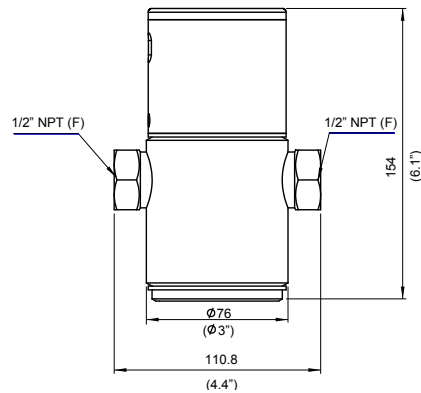
Features

- Heater body and pipe connectors are made of Stainless Steel 316L material
- Heat pipe, connectors and body are welded using automatic argon arc welding process
- Adopt EP process, ultrasonic cleaning and other processes to ensure the flow channel is clean and meet the requirements of high-purity gas delivery
- Integrated temperature control switch, easy to adjust the heating temperature
- 100% factory inspection and passed 3000 psi pressure holding test for 24 hours

Specifications

- Maximum Inlet Pressure: 20.7 MPa (3000 psi)
- Gas Service: Carbon dioxide (CO₂), Nitrous oxide (N₂O), Ethylene, etc.
- Output Flow: ≥30 m³/h for inlet of 1 MPa CO₂
- Power: 480W
- Input Voltage: AC 11V and 220V
- Set Temperature: 60 ± 5°C
- Inlet/Outlet Connection: 1/2" NPT (F)
- Dimension: φ76 mm x 154 mm
- Weight: 2.5 kg

Dimension



Dimension: mm (in.)

Ordering Information

Ex:	SH600	- G	- 220V	- FNT8	- FNT8
	Body	Electrical Connection	Voltage	Inlet Connection	Outlet Connection
	SH600	G: Chinese Standard B: British Standard E: EU Standard U: USA Standard	110V: AC110V (50 ~ 60Hz) 220V: AC220V (50 ~ 60Hz)	FNT8: 1/2" NPT (F)	FNT8: 1/2" NPT (F)

