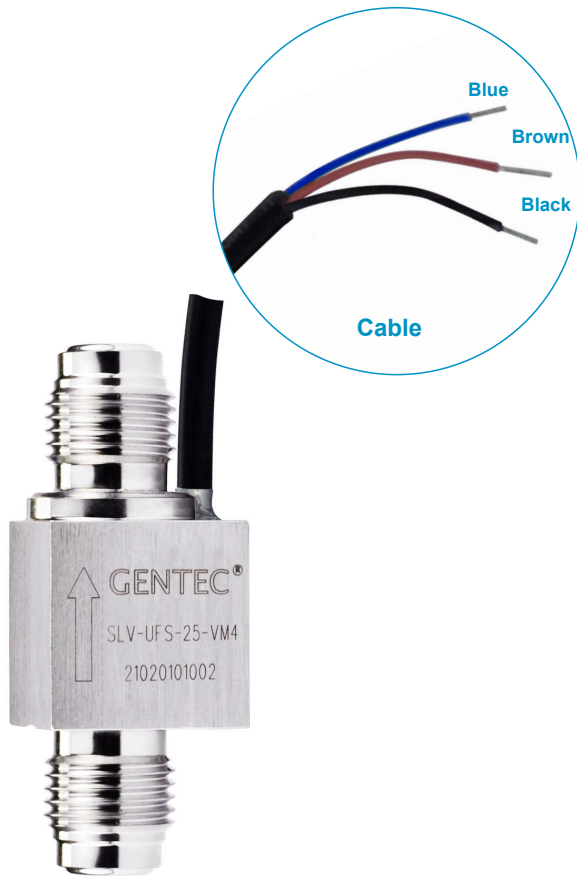


## UFS SERIES FLOW SWITCH

### Ultraclean safety device for gases

GENTEC® UFS Series flow switch and the corresponding electrical devices (lighting, low voltage signal or relay, etc.) are used together, ideally suitable for the semiconductor industry of ultra-high purity gas, toxic gas or corrosive gas over flow alarm.



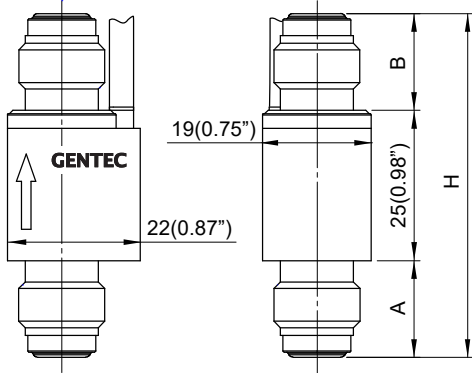
### Features

- Suitable for ultra high purity gas system
- Compliant with SEMI standards
- Partial free operation
- Vacuum to 3,500 psig (241 bar)
- 100% Helium-leak tested

### Specifications

- Flow trip referene points: 10 slpm, 25 slpm, 50 slpm & 100 slpm N2 at 100 psig
- Accuracy: ±10%
- Pressure drop at trip point: 0.5 psi (0.034 bar) differential
- Installation orientation: Vertical within 8° and inlet port at the bottom
- Burst pressure: 10000 psi
- Proof pressure: 5000 psi
- Operating temperature: -23°C ~ 90°C (-9.4°F ~ 194°F)
- Outboard leakage: 1x10<sup>-9</sup> atm.cc/sec He
- Surface finish: Ra 10 μin
- Internal Volume: 1.9 cm<sup>3</sup>

Reed switch type	SPDT
Contact capacity ?	3 VA
Power	DC/AC 30V max
Switching current	0.2 A max
Carrying current	0.5 A max
Initial contact resistance	0.1 Ohm max
Cable: #24AWG, 10ft (3 meters)	Blue: common
	Brown: normally closed
	Black: normally open

**Dimensions**


Note: 1. All dimensions in mm (in.)  
2. Jhex indicates the hexagonal dimension of the VSF4 nuts

Connectors (inlet - outlet)	Dimension mm(in)			
	H	A	B	Jhex
1/4" VM-1/4"VM	57(2.25")	16(0.625")	16(0.625")	-
1/4" VSF-1/4"VSF	101(3.99")	38(1.495")	38(1.495")	S19 (S 0.75")
1/4" TW-1/4"TW	57(2.25")	16(0.625")	16(0.625")	-
1/4" VM-1/4"VSF	79(3.12")	16(0.625")	38(1.495")	S19 (S 0.75")
1/4" VM-1/4"TW	57(2.25")	16(0.625")	16(0.625")	-
1/4" VSF-1/4"VM	79(3.12")	38(1.495")	16(0.625")	S19 (S 0.75")
1/4" VSF-1/4"TW	79(3.12")	38(1.495")	16(0.625")	S19 (S 0.75")
1/4" TW-1/4"VM	57(2.25")	16(0.625")	16(0.625")	-
1/4" TW-1/4"VSF	79(3.12")	16(0.625")	38(1.495")	S19 (S 0.75")

**Ordering Information**

Ex: SLV	- UFS	- 25	- VM4	- VM4
Body Material	Series	Flow Switch Size	Inlet Connection	Outlet Connection
SLV: 316L VAR	UFS: Ultraclean Flow Switch	10: 10 slpm 25: 25 slpm 50: 50 slpm 100: 100 slpm	VM4, VSF4, TW4	VM4, VSF4, TW4

Inlet & Outlet Connections		
Type	Dimensions	
VM: Face seal male (FSR fittings)	4, 8	4 = 1/4" 6 = 3/8" 8 = 1/2"
VSM: Face seal swivel male (FSR fittings)	4, 8	
VSF: Face seal swivel female (FSR fittings)	4, 8	
TW: Butt weld	4, 6, 8	