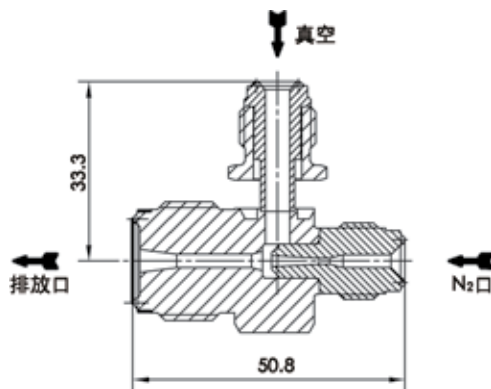




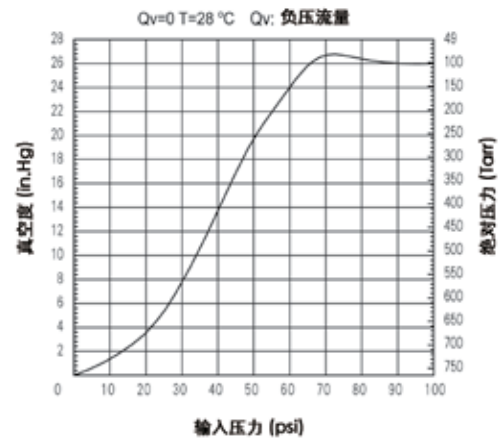
Features

- Stainless Steel 316L construction
- Cleaned, welded assembled, tested and packaged in Class 10 clean room
- Internal Surface Finish 0.4 μm
- 660 mmHg (100 Torr) vacuum generated with a minimum source nitrogen pressure of 75 psi
- Helium leak tested
- Used in gas delivery systems to assist in purging piping systems

Dimensions



Vacuum Chart



Ordering Information

EX: SL	- VG22	- VM4	- VM8	- VM4
Body	Series	N ₂ Inlet	Vent Connections	Vacuum Connections
SL: 316L	VG22	VM4	VM4 VM8	VM4: 1/4" face seal male VM8: 1/2" face seal male VSM4: 1/4" face seal swivel male VSF4: 1/4" face seal swivel female TW4: 1/4" tube weld