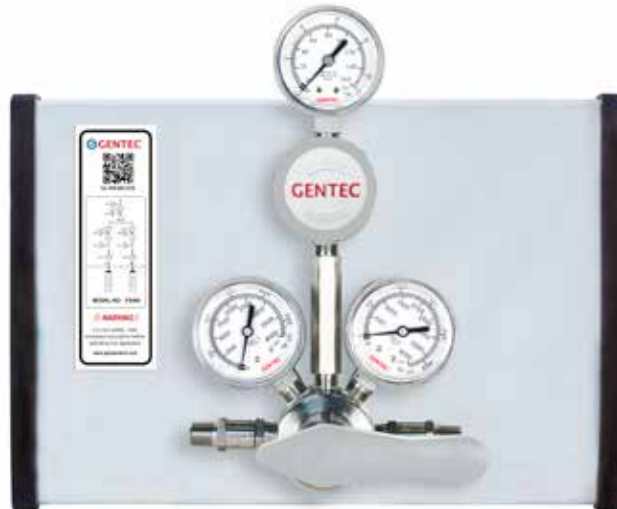


P2400 SERIES

Semi-Automatic Control Panels

Specialty Gas Equipment

GENTEC® P2400 Series Specialty Gas Control Panel is a dual bank semi-automatic changeover system, providing a continuous supply without interrupting the system during cylinder(s) replacement. P2400 Series is designed with dual pressure reduction to provide steady outlet pressure and is applicable for purity gas usage in research laboratories, clean rooms and gas analyzing.



Product Features

- Switchover regulator with relief valve
- Regulator and pipe all through pressure and leakage test
- Easy-to-read 2" stainless steel pressure gauges or chrome-plated brass gauges

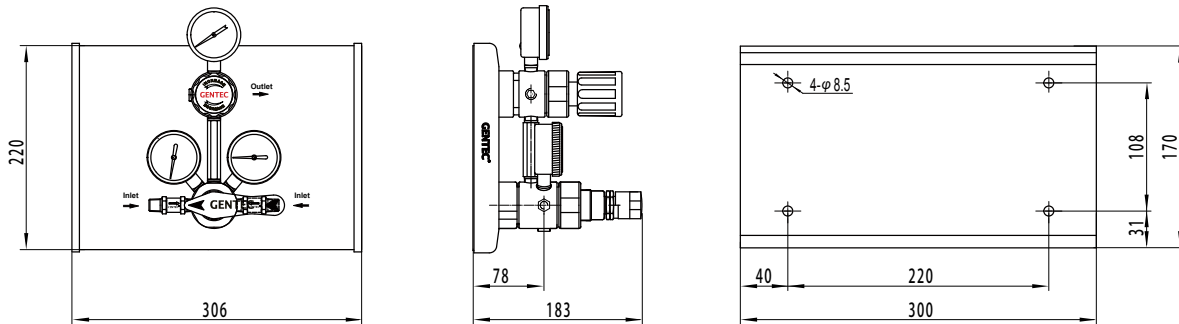
Specifications

- **Maximum inlet pressure:** 3000, 2200 psi
- **Maximum outlet pressure:** 25, 50, 100, 150 psi
- **Operating temperature range:** -40 to 165 °F (-40 to 74 °C)
- **Leak rate:** 2×10^{-8} atm.cc/sec He
- **CV:** 0.06

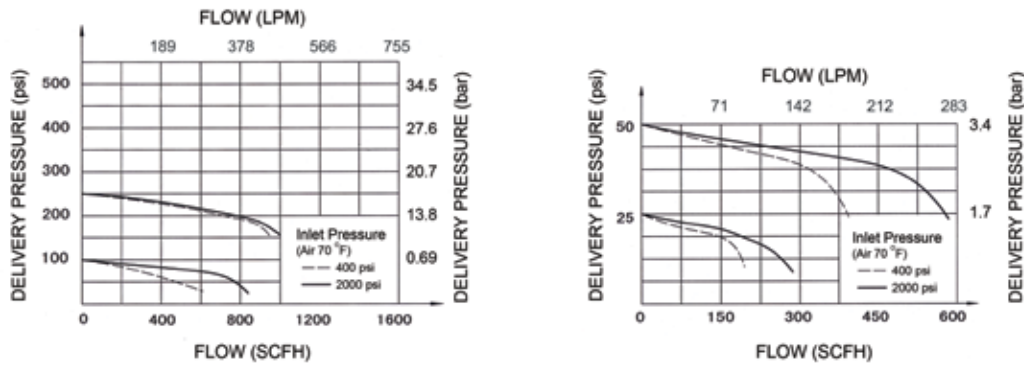
Materials of Construction

- **Regulator body:** Stainless steel
- **Regulator seat:** PU
- **Regulator inlet port:** 1/4" NPT (F)
- **Regulator outlet port:** 1/4" GENLOK

Dimensions



Flow Date



Ordering Information

EX: P2400 Series	S Body	P - Regulator Seat Material	D Inlet Pressure	H Outlet Pressure	P Gauge	Options	- AIR Gas Options
• P2400	S: Stainless steel	P: PU	D: 3000 psi X: 2200 psi	L: 25 psi K: 50 psi I: 100 psi H: 150 psi	P: psi / bar K: psi / kPa	Blank: Standard C: Electronic Contact Gauge	Blank: None AIR: Air HE: Helium O2: Oxygen H2: Hydrogen CH4: Methane CO2: Carbon Dioxide Ar: Argon N2: Nitrogen