

# P3200B SERIES

Single-Bank Specialty Gas Control Panels

Specialty Gas Equipment

GENTEC® P3200B Series Specialty Gas Control Panel is a single-bank control system, designed to provide accurate control of a variety of gases used in research laboratories, laser gas systems, process analyzers, etc. Vent valves can be integrated for purging to ensure maximum purity of gas and minimize contaminants.



## Product Features

- Single-bank gas supply
- 2" chrome-plated brass gauges
- All parts are mounted on a single panel for easy installation
- Inlet valve(s) for changing cylinder(s) included. Outlet and Vent valves are optional
- Diaphragm valves include an easy-to-read status window (open / close)
- Integrated safety relief valve to ensure additional safety

## Specifications

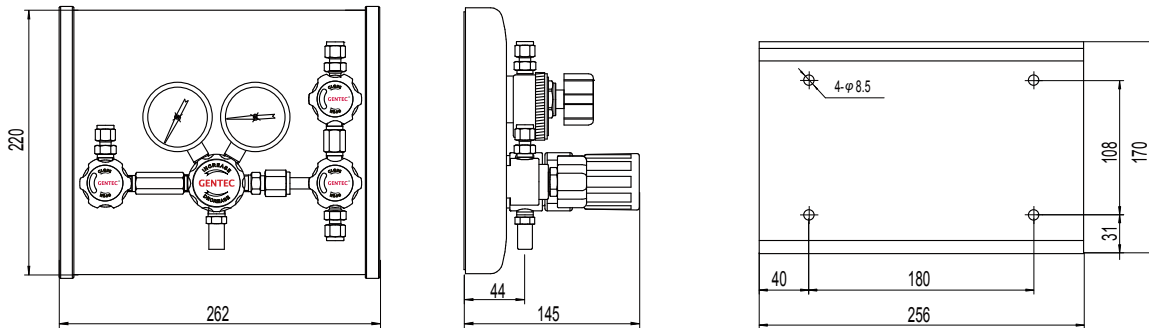
- **Maximum inlet pressure:** 3000, 500 psi
- **Maximum outlet pressure:** 25, 50, 100, 150, 250 psi
- **Operating temperature range:** -40 to 165 °F (-40 to 74 °C)
- **Leak rate:**  $2 \times 10^{-8}$  atm.cc/sec He
- **Cv:** 0.14

## Materials of Construction

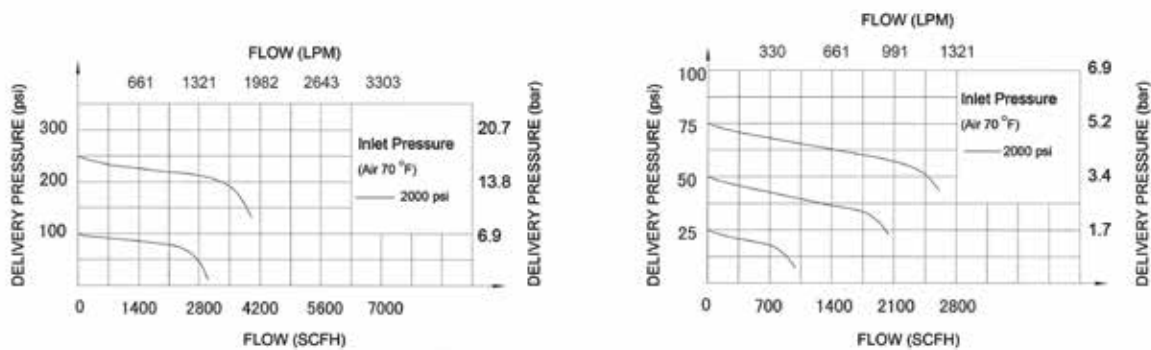
- **Regulator and valve body:** Chrome-plated brass
- **Regulator seat\*:** PU, PTFE
- **Panel:** Aluminium Alloy
- **Panel inlet connections:** 1/4" GENLOK®,
- **Panel outlet connections:** 1/4" GENLOK®

\* In the event that the selected material of regulator seat is inappropriate for its applications, Gentec shall reserve the right to appoint an alternative seat material.

**Dimensions**



**Flow Data**



**Ordering Information**

EX: P32	1	1	B	P -	D	H	P		- N2
Series	Valve Assembly	Inlet Connection	Valve Body	Regulator Seat*	Inlet Pressure	Outlet Pressure	Gauge	Options	Gas Options
• P32	1: Inlet / outlet / vent 2: Inlet / vent 3: Inlet / outlet 4: Inlet only	1: 1/4" Genlok (Vertical) 2: 1/4" FSR (Vertical) 3: 1/2" FSR (Straight) 5: 1/4" NPT (Vertical) 6: 1/4" FNPT (Vertical)	B: Chrome-plated brass	P: PU T: PTFE	D: 3000 psi F: 500 psi	L: 25 psi K: 50 psi I: 100 psi H: 150 psi G: 250 psi	P: psi / bar K: psi / kPa W: No Gauge	Blank: Standard C: Electronic Contact Gauge V: Waste gas disposal	Blank: None AIR: Air HE: Helium O2: Oxygen H2: Hydrogen CH4: Methane CO2: Carbon Dioxide Ar: Argon N2: Nitrogen

\*: Please contact GENTEC for regulator seat