

R75SL SERIES

High Flow Back Pressure Regulator

Solutions for Life



» R75SLAK-GW-06-06

GENTEC® R75SL Series Back Pressure Regulator is a diaphragm-densed high purity regulator designed for analytical applications where a constant back pressure is desired.

Product Features

- Diaphragm Type Configuration
- Inlet & Outlet Port Size: 3/4" NPT(F)

Materials

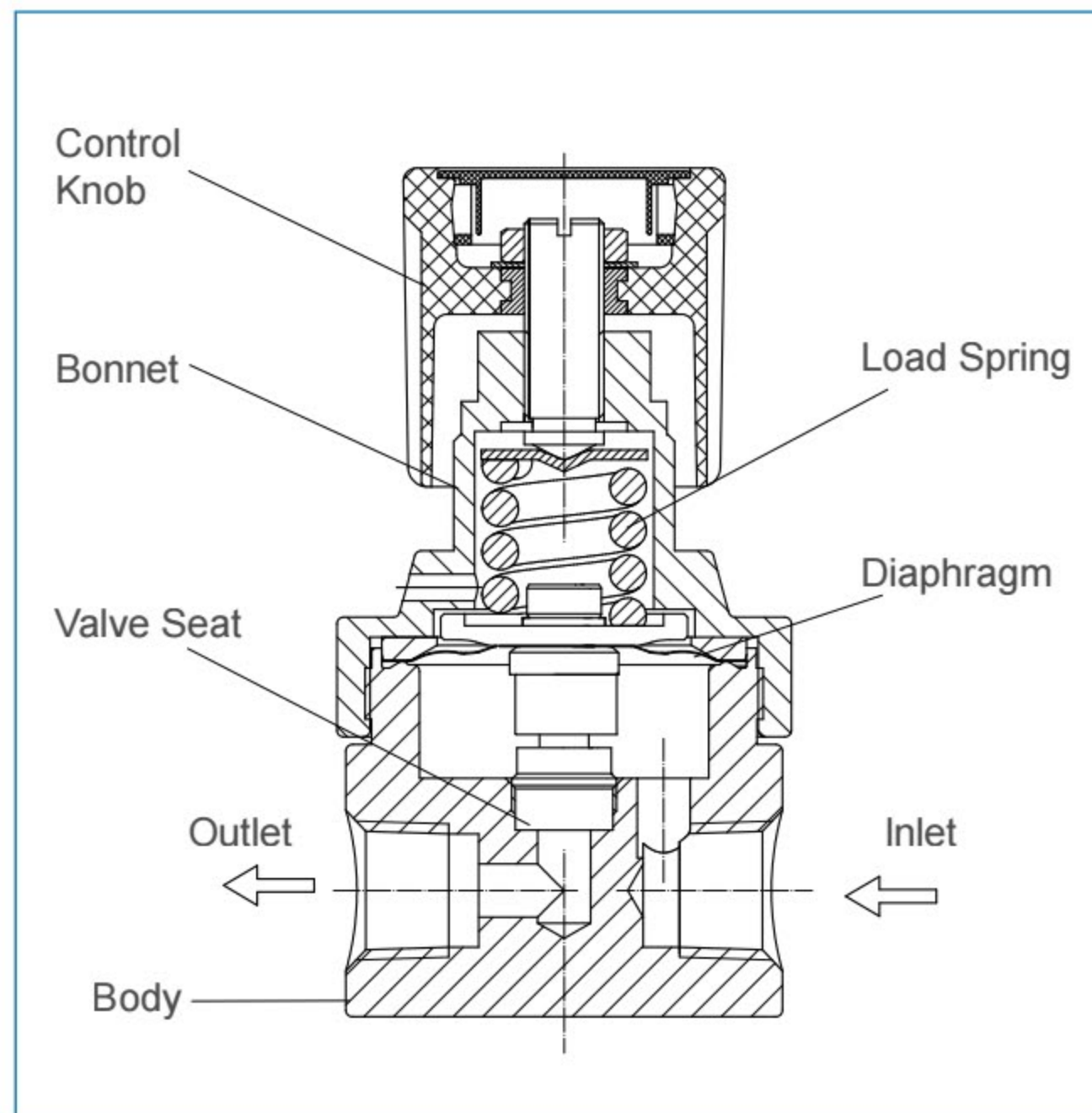
- | | |
|-------------|----------------------|
| • Body | 316L Stainless Steel |
| • Seat | PCTFE |
| • Diaphragm | 316L Stainless Steel |
| • Stem | 316L Stainless Steel |
| • Spring | 316L Stainless Steel |

Applications

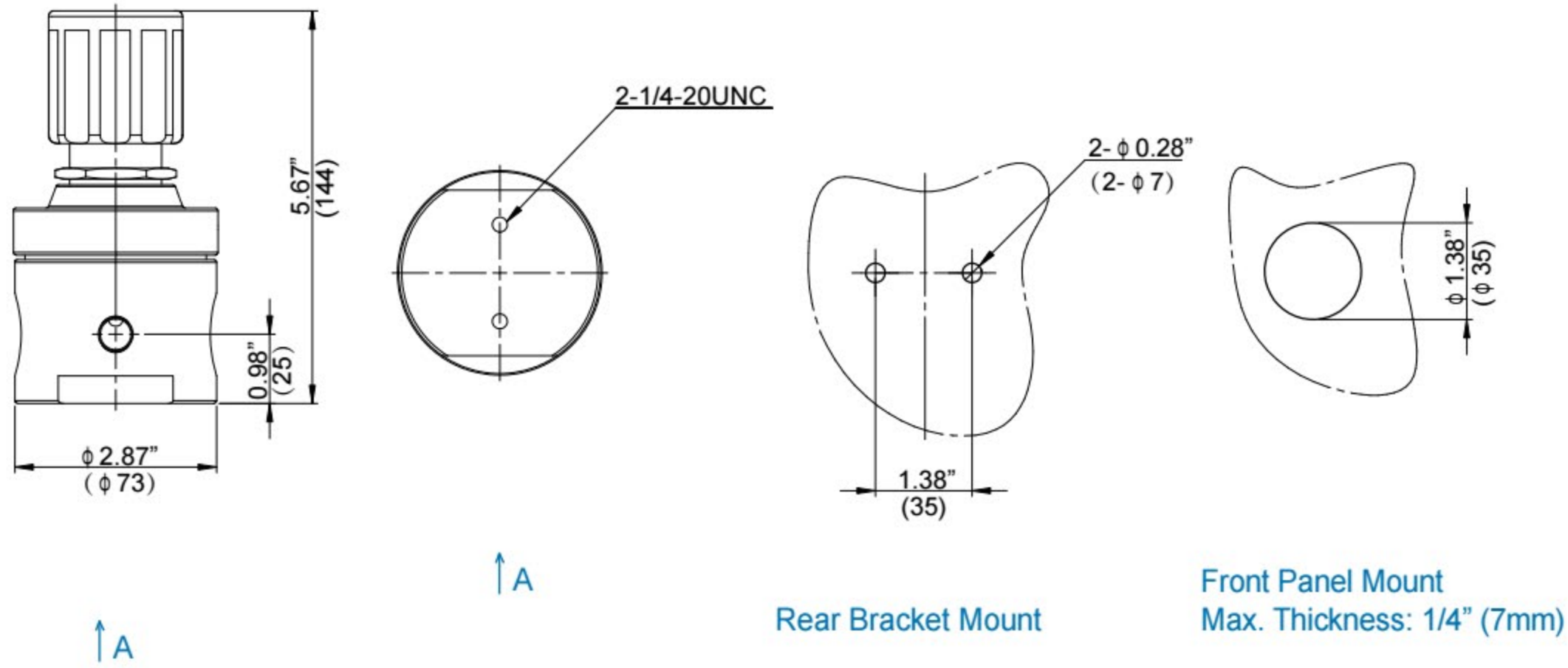
- Process control
- Laboratory
- Petrochemical industry
- Gas analysis

Specifications

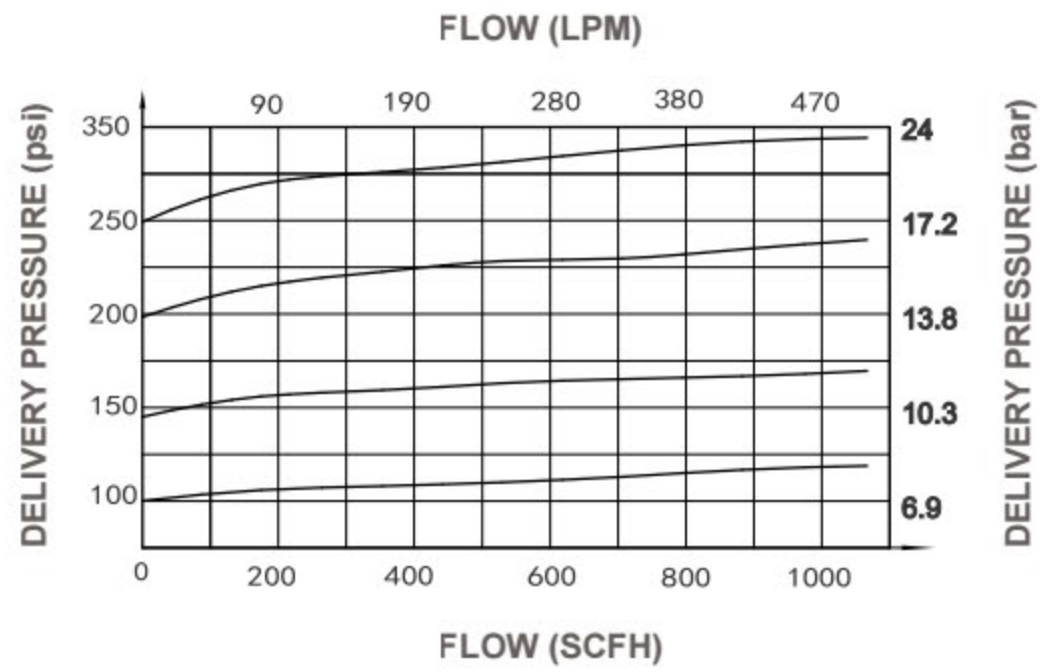
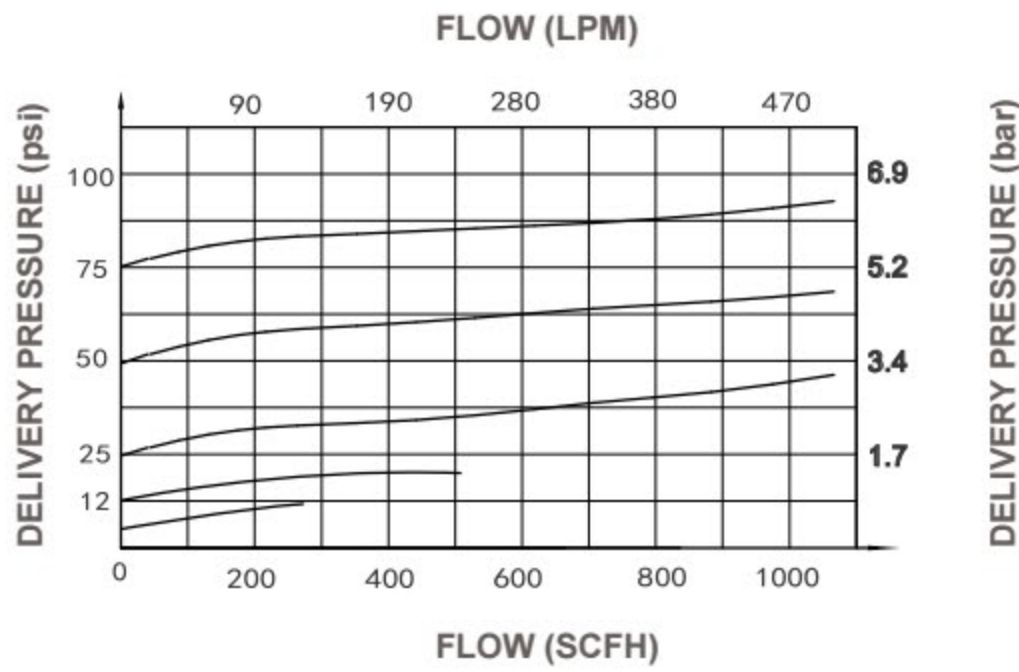
- **Maximum back pressure:** 500 psi (35 bar)
- **Safety test pressure:** 1.5 x Maximum pressure
- **Temperature range:** -40 to 165°F (-40 to 74°C)
- **Inboard leakage:** 2×10^{-8} atm.cc/sec He
- **Outboard leakage:** 2×10^{-8} atm.cc/sec He
- **Maximum Cv:** 1.2
- **Weight:** 4.63 lb (2.1 kg)



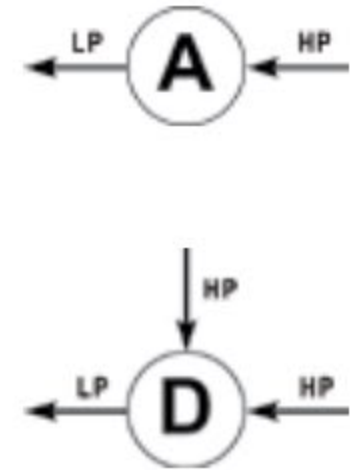
Dimensions



Flow Data



Body Port



Ordering Information

EX:R75SL	A	K -	K	W -	06 -	06 -	P
Series	Body Ports	Seat	Inlet Pressure Range	Gauge	Inlet Connections	Outlet Connections	Options
• R75SL	A D	K: PCTFE	G: 0-250 psi (17 bar) I: 0-100 psi (7 bar) K: 0-50 psi (3 bar) L: 0-25 psi (2 bar) M: 0-15 psi (1 bar) N: 0-6 psi (0.4 bar)	W: No Gauge P: psi / bar K: psi / kPa	06: 3/4" NPT(F) Other connections available*	06: 3/4" NPT(F) Other connections available*	P: Panel Mount

*: For more connection options contact Gentec.