

R77B SERIES

Sensitive Back Pressure Regulator

Specialty Gas Equipment



GENTEC® R77B Series Back Pressure Brass Regulator is a Diaphragm High Purity Regulator designed for analytical applications where constant back pressure is desired.

Product Features

- Diaphragm Type Configuration
- Inlet & Outlet Port Size: 1/4" NPT(F)

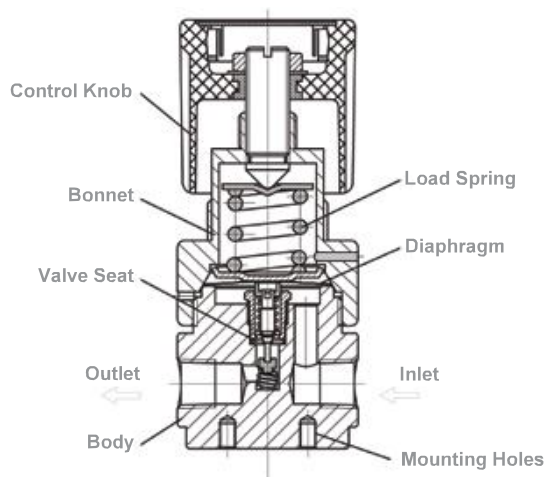
▶ R77BAK-KW-00-00

Materials

- | | |
|----------|------------------------------|
| • Body | Nickel-Plated Brass Barstock |
| • Seat | PCTFE |
| • Piston | 316L Stainless Steel |
| • Stem | 316L Stainless Steel |
| • Spring | 316L Stainless Steel |

Applications

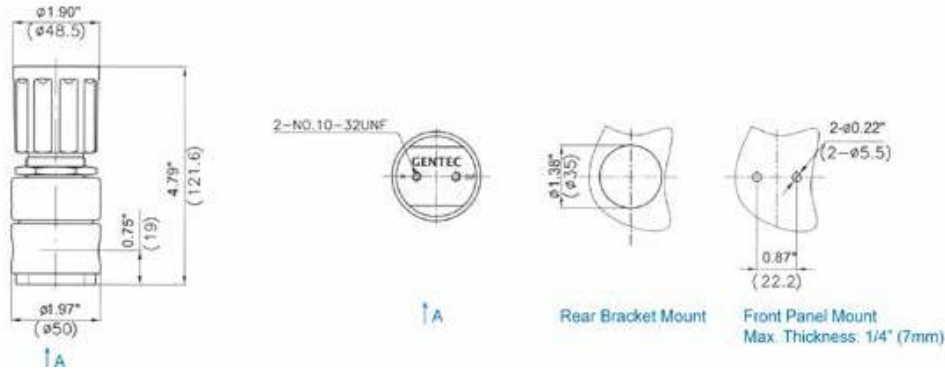
- Research Laboratories
- Gas Chromatography
- Process Analyzers
- Petrochemical Industry



Specifications

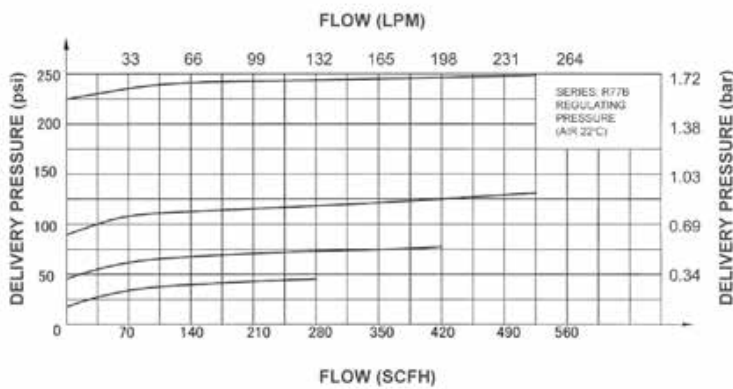
- Maximum back pressure: 250 psig (17 bar)
- Safety test pressure: 1.5 x Maximum pressure
- Temperature range: -40°F~165°F (-40°C~74°C)
- Inboard leakage: 2×10^{-8} atm.cc/sec He
- Outboard leakage: 2×10^{-8} atm.cc/sec He
- Maximum Cv: 0.08
- Weight: 2.0 lb (0.9 kg)

Dimensions



Flow Data

Body Port



Ordering Information

EX:R77B	A	K -	K	W -	00 -	00 -	P
Series	Body Ports	Seat	Inlet Pressure Ranges	Gauge	Inlet Connections	Outlet Connections	Options
• R77B	A	K: PCTFE	G: 0-250 psig I: 0-100 psig K: 0-50 psig L: 0-25 psig	K: psig/kPa P: psig/bar W: No Gauge	00: 1/4" NPT(F) Other connections available*	00: 1/4" NPT(F) Other connections available*	Blank: None P: Rack Mount

* For more connection options contact GENTEC.