

R77SL SERIES

Back Pressure Low Flow Regulator

Solutions for Life



» R77SLAK-GW-00-00

GENTEC® R77SL Series Back Pressure Regulator is a diaphragm-sensed single-stage high purity regulator designed for applications where a constant back pressure is desired.

Product Features

- Single-Stage Configuration
- Inlet & Outlet Port Size: 1/4" NPT(F)
- 2" Pressure Gauge

Materials

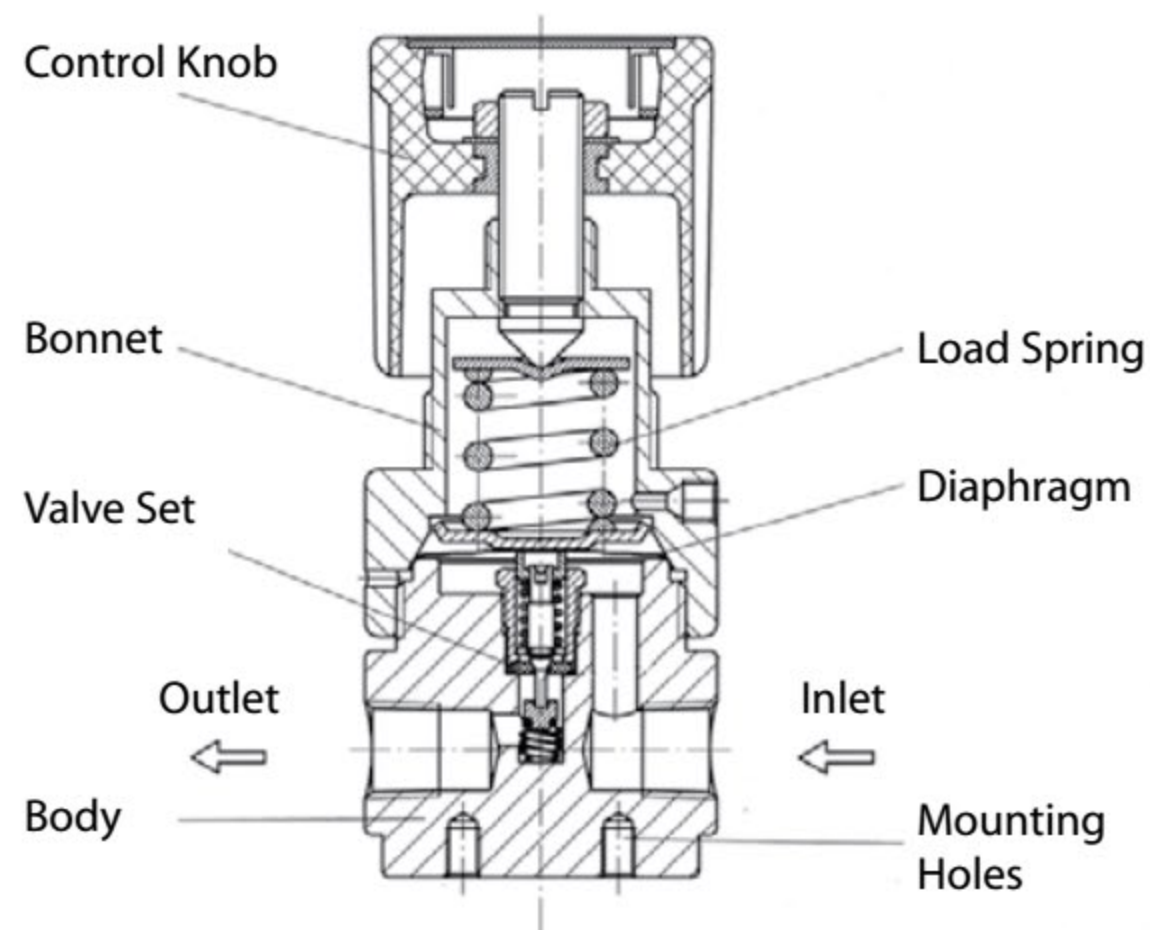
- | | |
|------------------|----------------------|
| • Body | 316L Stainless Steel |
| • Bonnet | 316L Stainless Steel |
| • Seat | PCTFE, PTFE |
| • Diaphragm | 316L Stainless Steel |
| • Adjusting Knob | ABS Plastic |

Applications

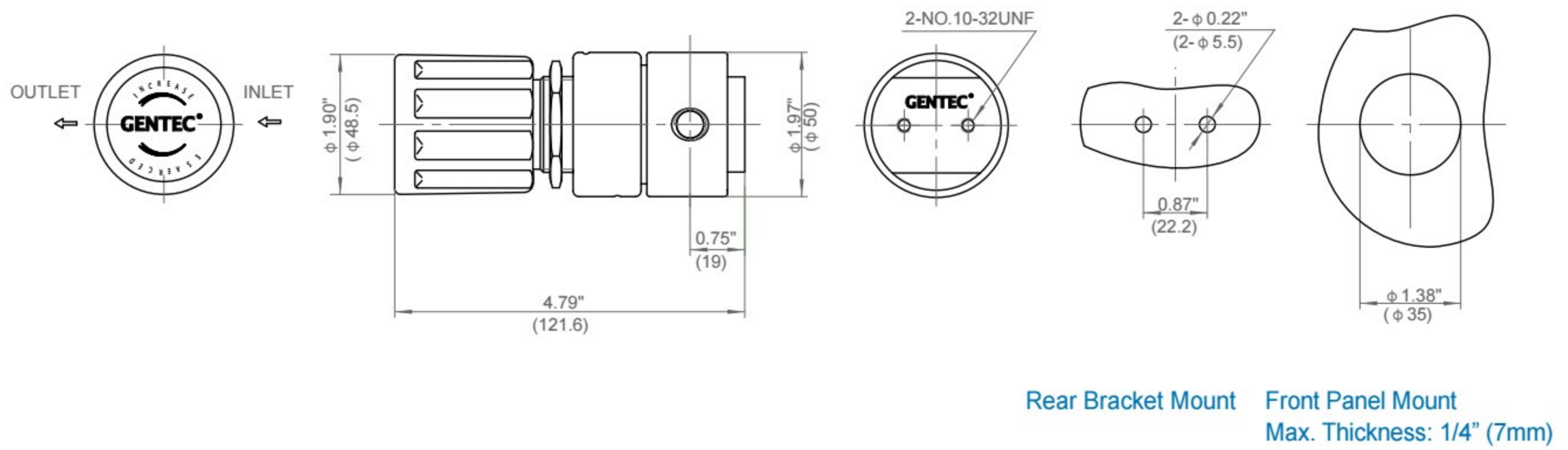
- Process Control
- Petrochemical Industry
- Gas Chromatography
- Research Laboratories

Specifications

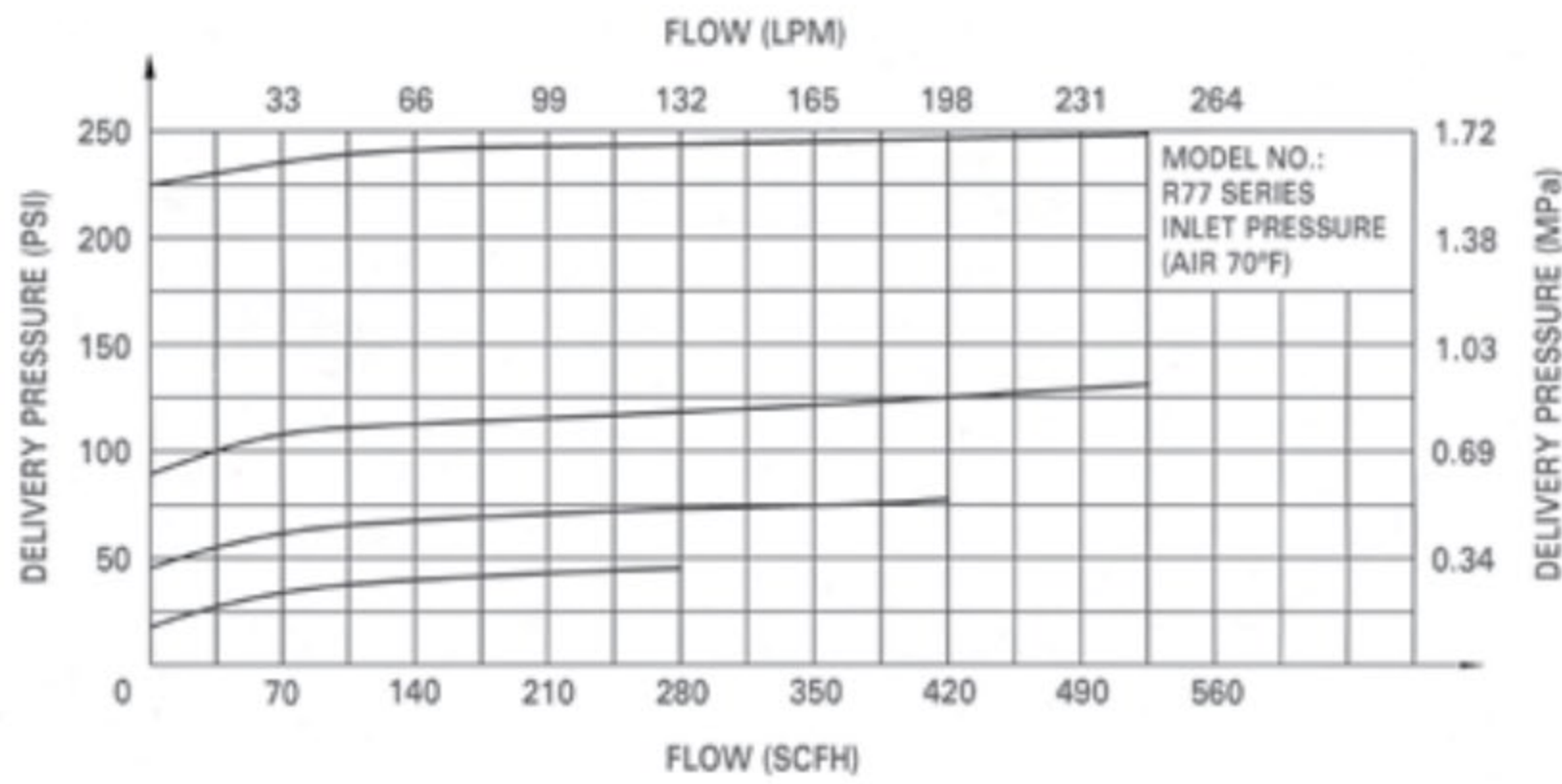
- Maximum inlet pressure: 250 psi (17 bar)
- Safety test pressure: 1.5 x Maximum inlet pressure
- Temperature range: -40 to 165°F (-40 to 74°C)
- Inboard leakage: 2×10^{-8} atm.cc/sec He
- Outboard leakage: 2×10^{-8} atm.cc/sec He
- Maximum Cv: 0.08
- Weight: 2.0 lb (0.9 kg)



Dimensions



Flow Data



Body Port



Ordering Information

EX: R77SL	A	K -	G	W -	00 -	00 -	P
Series	Body Ports	Seat	Outlet Pressure Ranges	Gauge	Inlet Connections	Outlet Connections	Options
• R77SL	A	K: PCTFE T: PTFE	G: 0-250 psi (17 bar) I: 0-100 psi (7 bar) K: 0-50 psi (3 bar) L: 0-25 psi (1.5 bar)	P: psi / bar K: psi / kPa W: No Gauge	00: 1/4" NPT(F)	00: 1/4" NPT(F)	P: Panel Mount