

# R17SL SERIES

High Purity High Flow Regulator

Solutions for Life



GENTEC® R17SL Series Stainless Steel Regulator is a diaphragm-sensed single-stage high flow regulator.

## Product Features

- Single-Stage Configuration
- Inlet & Outlet Port Size: 1" NPT(F)
- 2" Pressure Gauge

» R17SLGB-FIP-08-08

## Materials

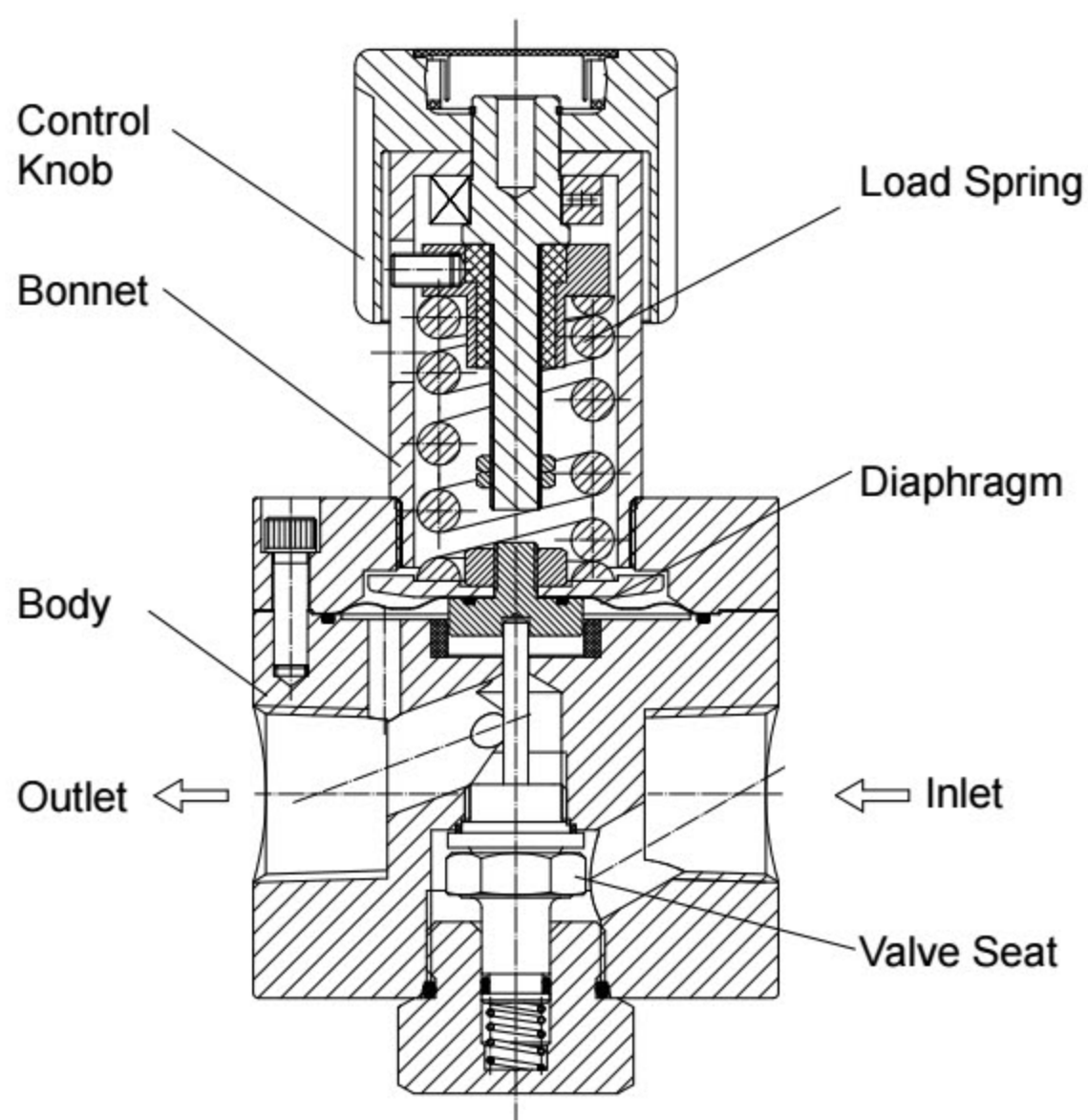
- |             |                            |
|-------------|----------------------------|
| • Body      | 316L Stainless Steel       |
| • Seat      | PU, NBR                    |
| • Diaphragm | 316L Stainless Steel, PTFE |
| • Stem      | 316L Stainless Steel       |
| • Spring    | 316L Stainless Steel       |

## Applications

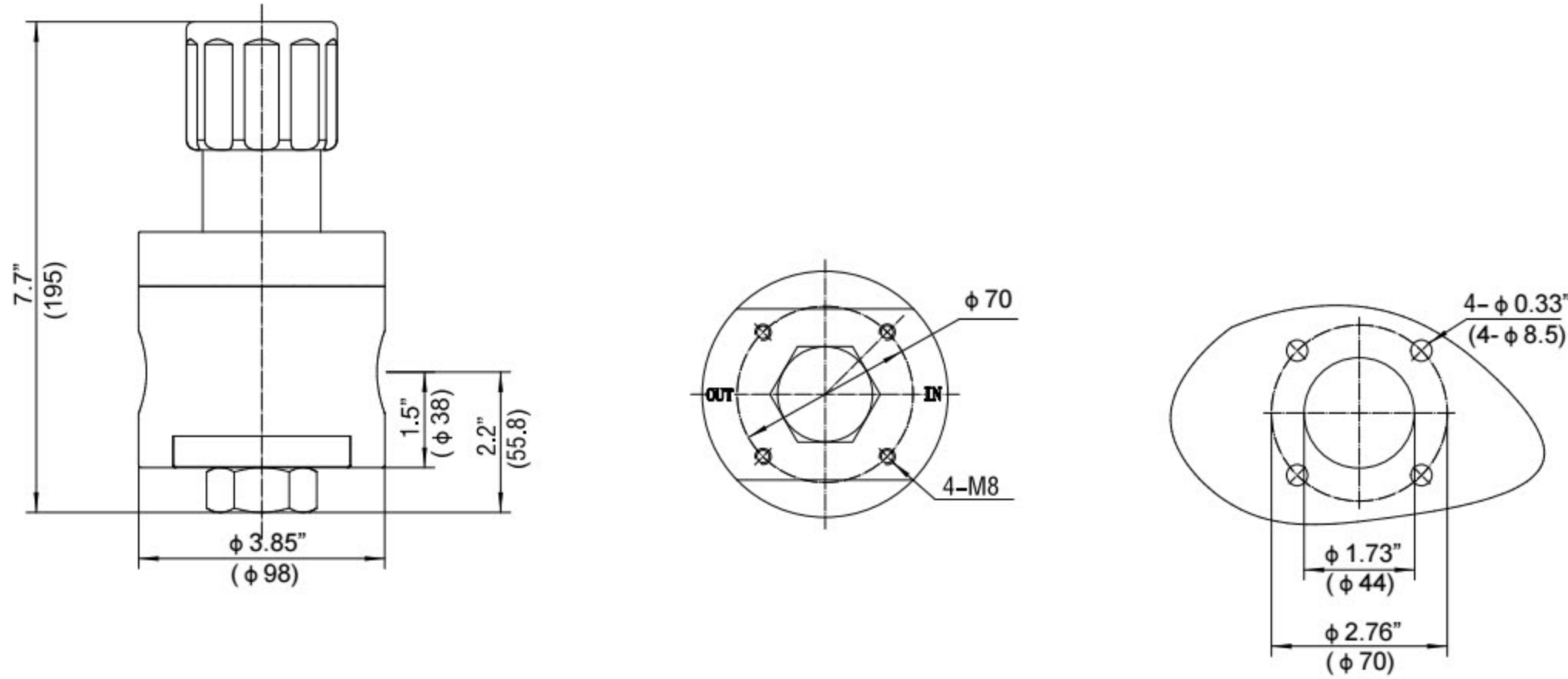
- petrochemical
- power plant equipment
- low pressure tank
- heat treatment equipment

## Specifications

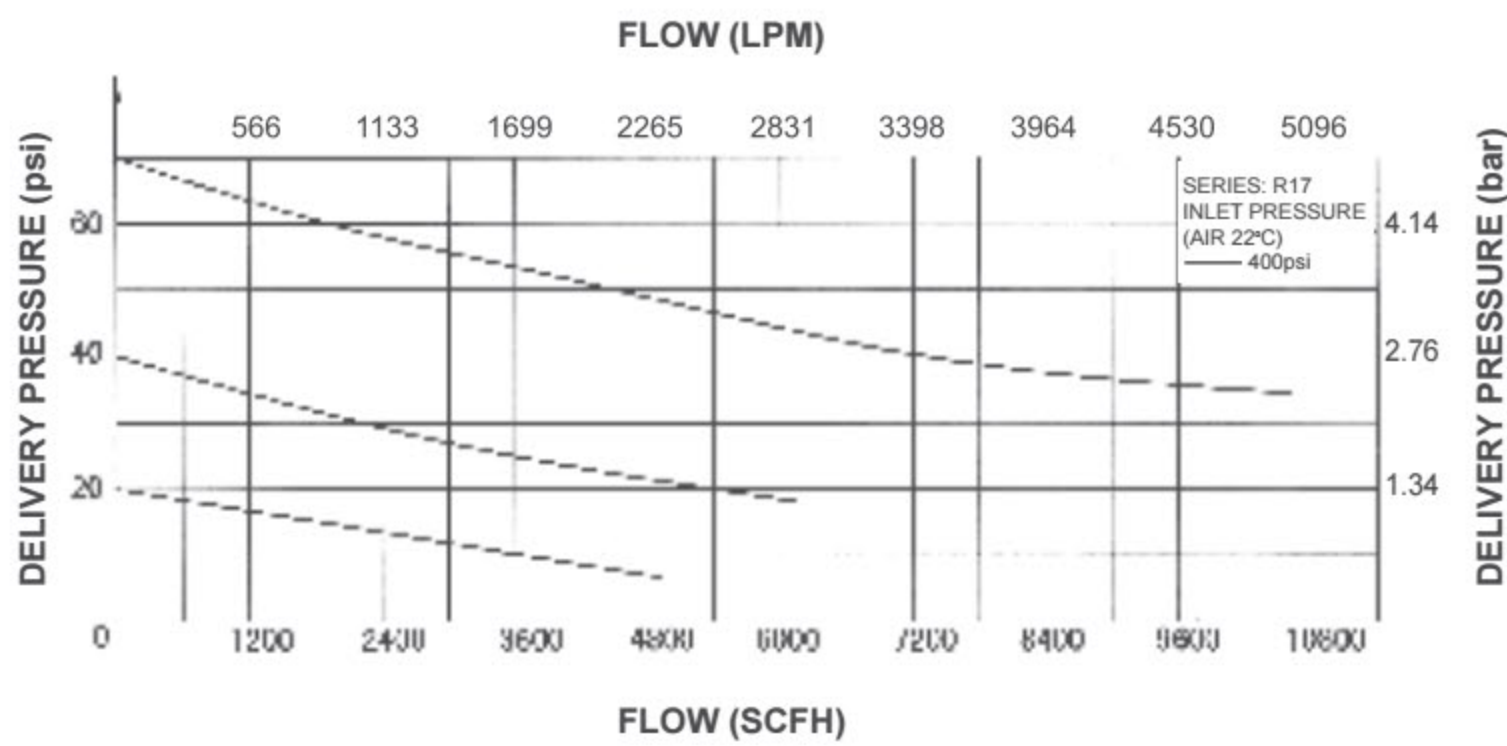
- **Maximum inlet pressure:**  
PU Seat: 3000 psi (206 bar)  
NBR Seat: 500 psi (34 bar)
- **Maximum outlet pressure:**  
316L Diaphragm: 250 psi (17 bar)  
PTFE Diaphragm: 50 psi (3.4 bar)
- **Safety test pressure:** 1.5 x Maximum inlet pressure
- **Temperature range:** -10 to 250°F (-23 to 121°C)
- **Inboard leakage:**  $2 \times 10^{-8}$  atm.cc/sec He
- **Outboard leakage:**  $2 \times 10^{-8}$  atm.cc/sec He
- **Maximum Cv:** 5.2
- **Weight:** 13.23 lb (6 kg)



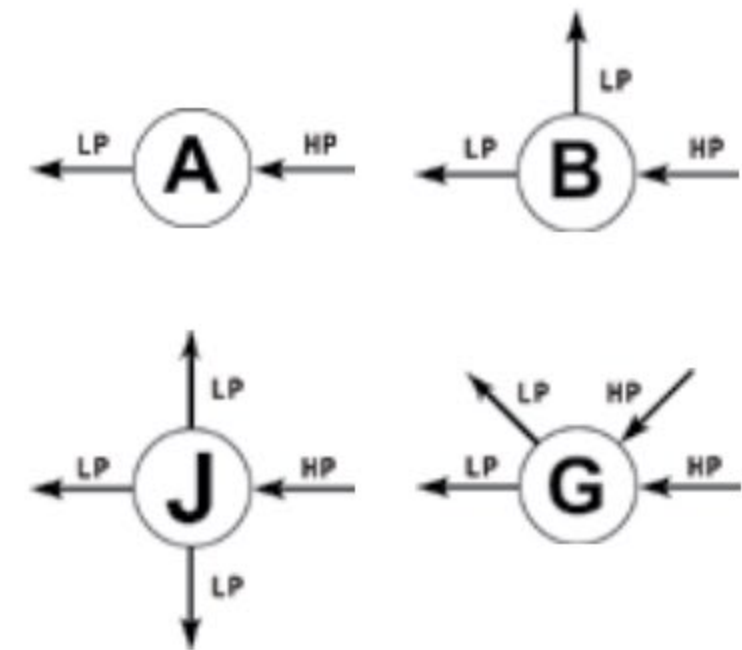
## Dimensions



## Flow Data



## Body Port



## Ordering Information

EX:R17SL	J	B -	F	K	P -	08 -	08
Series	Body Ports	Seat	Inlet Pressure Range	Outlet Pressure Ranges	Gauge	Inlet Connections	Outlet Connections
• R17SL	A B G J	P: PU B: NBR	D: 3000 psi (206 bar) F: 500 psi (35 bar)	<b>316L Diaphragm</b> G: 0-250 psi (17 bar) H: 0-150 psi (10 bar) I: 0-100 psi (7 bar)  <b>PTFE Diaphragm</b> J: 0-75 psi (5 bar) K: 0-50 psi (3 bar) L: 0-25 psi (1.7 bar) M: 0-15 psi (1 bar) N: 0-6 psi (0.4 bar)	P: psi / bar K: psi / kPa W: No Gauge	08: 1" NPT(F) Other connections available*	08: 1" NPT(F) Other connections available*

\*: For more options contact GENTEC.