

R22SL SERIES

High Purity Medium Flow Regulator

Specialty Gas Equipment



▶ R22SLJK-DIP-13-13

GENTEC® R22SL Stainless Steel Regulator is a Diaphragm-Sensed Single-Stage High Purity Regulator designed for applications where medium flow is desired.

Product Features

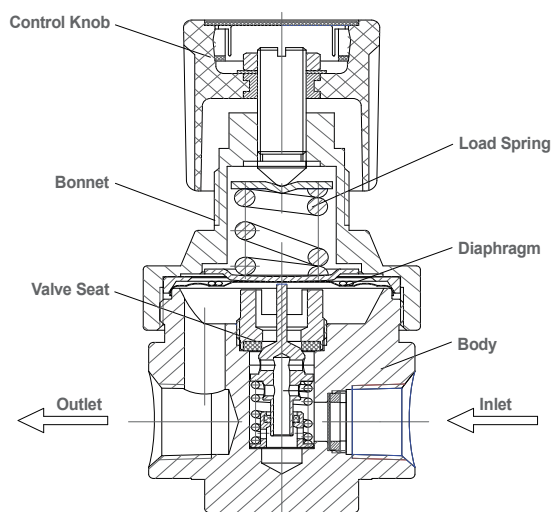
- Single-Stage Configuration
- Metal-to-Metal Seal
- Inlet & Outlet Port Size: 1/2" NPT(F)
- 2" Pressure Gauge

Materials

- | | |
|------------------|------------------------------|
| • Body | 316 Stainless Steel |
| • Bonnet | Nickel-Plated Brass Barstock |
| • Seat | PCTFE |
| • Diaphragm | 316L Stainless Steel |
| • Adjusting Knob | ABS Plastic |

Applications

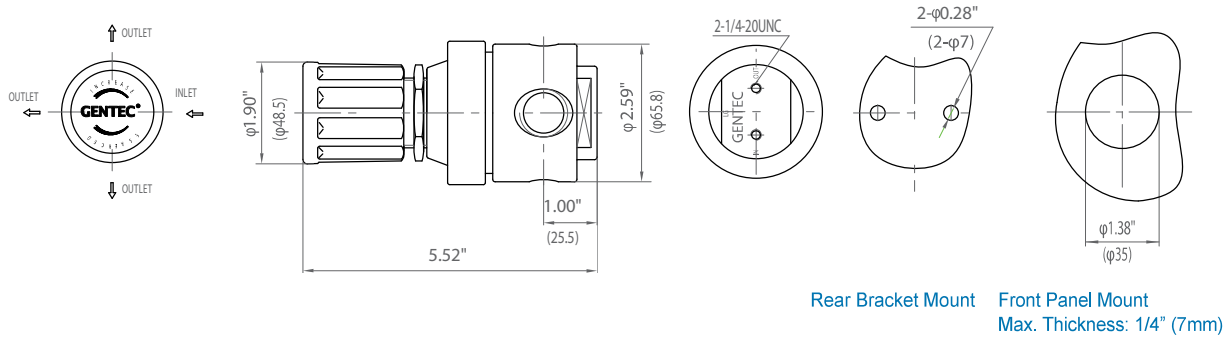
- Semiconductor Industry
- Gas Manifold Systems
- Research Laboratories
- Petrochemical Industry
- Power Plants



Specifications

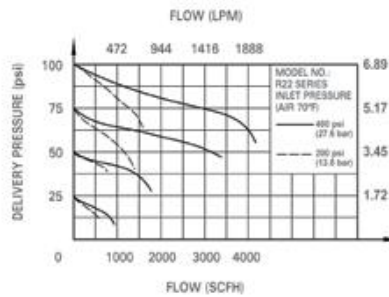
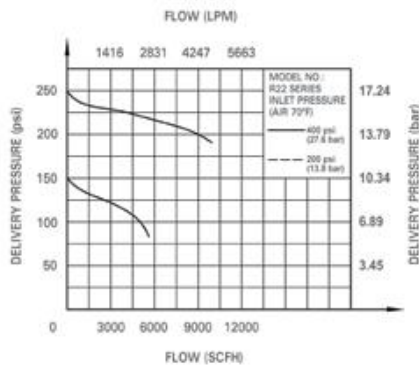
- Maximum inlet pressure: 3000 psi (206 bar)
- Maximum outlet pressure: 250 psi (17 bar)
- Safety test pressure: 1.5 x Maximum inlet pressure
- Temperature range: -40 to 165°F (-40 to 74°C)
- Inboard leakage: 2×10^{-8} atm,cc/sec He
- Outboard leakage: 2×10^{-8} atm,cc/sec He
- Maximum Cv: 1.1
- Weight: 3.74 lb (1.7 kg)

Dimensions

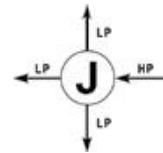


Rear Bracket Mount Front Panel Mount
Max. Thickness: 1/4" (7mm)

Flow Data



Body Port



Ordering Information

EX:R22SL	J	K -	F	G	K -	13 -	13	Options
Series	Body Ports	Seat	Inlet Pressure Range	Outlet Pressure Ranges	Gauge	Inlet Connections	Outlet Connections	
• R22SL	J	K: PCTFE	D: 3000 psi (206 bar) F: 500 psi (35 bar)	G: 0-250 psi (17 bar) I: 0-100 psi (7 bar) K: 0-50 psi (3 bar) L: 0-25 psi (1.5 bar) Q: 30" Hg Vac-30 psi (2 bar) S: 30" Hg Vac-100 psi (7 bar) T: 30" Hg Vac-200 psi (14 bar)	P: psi / bar K: psi / kPa W: No Gauge	04: 1/2" NPT(F) 05: 1/2" NPT(M) 13: 1/2" GENLOK 15: 6 mm GENLOK 16: 8 mm GENLOK 18: 12 mm GENLOK Other connections available*	04: 1/2" NPT(F) 05: 1/2" NPT(M) 13: 1/2" GENLOK 15: 6 mm GENLOK 16: 8 mm GENLOK 18: 12 mm GENLOK Other connections available*	Blank: None P: Panel Mount H: Hastelloy® Diaphragm

*: For more connection options contact Gentec.