

R63SL SERIES

Dome Loaded Regulator

Specialty Gas Equipment



▶ R63SLBK-DFW-08-08

▶▶ R63SLGK-DEG-08-08-R44

GENTEC® R63SL Series Dome Loaded Regulator Via an external pressure source to control the output of the pressure reducer pressure, stable output pressure, large flow, which can realize the remote control.

Product Features

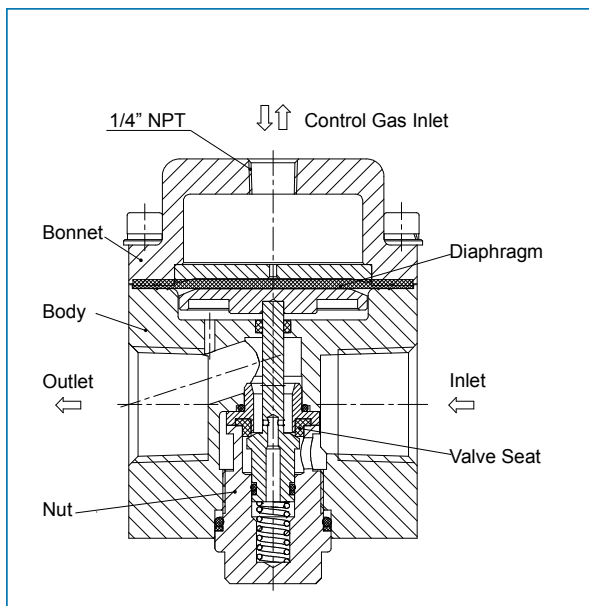
- Dome Loaded Regulator minimizes droop
- Dynamic pressure control
- High Pressure, High Flow
- 1" NPT connections

Materials

- | | |
|---------------|---------------------------|
| • Body | 316L Stainless Steel |
| • Bonnet | 316L Stainless Steel |
| • Seat | PCTFE |
| • Valve Stem: | 316L Stainless Steel |
| • Diaphragm | Neoprene or EPDM optional |

Applications

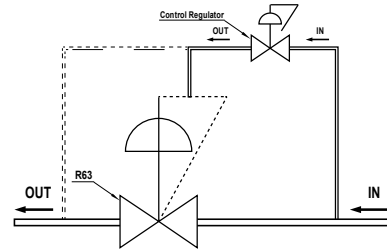
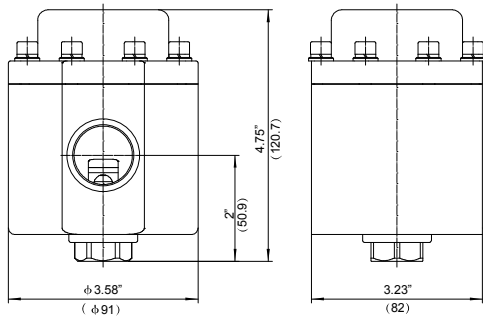
- Oil chemical industry
- Biochemical pharmaceutical



Specifications

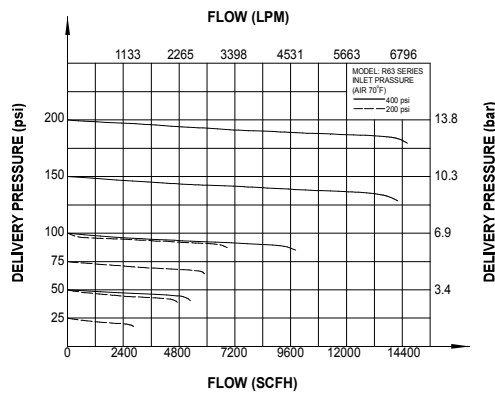
- Maximum inlet pressure: 3000 psig
- Maximum outlet pressure: 1500 psig
- Safety test pressure: 1.5 x Maximum inlet pressure
- Temperature range: -40°F~165°F (-40°C~74°C)
- Inboard leakage: 2×10^{-8} atm.cc/sec He
- Outboard leakage: 2×10^{-8} atm.cc/sec He inlet pressure: 1500 psig
- Maximum Cv: 2.67
- Weight: 8.6 lb

Dimensions

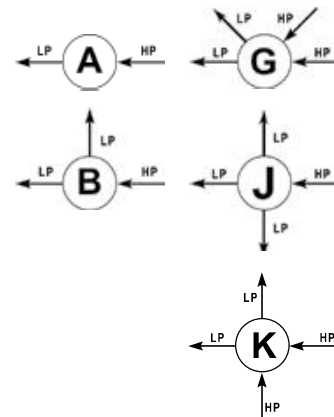


R63 WITH CONTROL REGULATOR
THE WORKING PRINCIPLE OF FIGURE

Flow Data



Body Port



Ordering Information

EX:R63SL	A	K -	F	K	P -	08 -	08 -	R44
Series	Body Ports	Seat	Inlet Pressure Range	Outlet Pressure Ranges	Gauge	Inlet Connections	Outlet Connections	Options
• R63SL (316L)	A B G J K	K: PCTFE	D: 3000 psig F: 500 psig	E: 0~1500 psig F: 0~500 psig G: 0~250 psig H: 0~150 psig I: 0~100 psig K: 0~50 psig L: 0~25 psig	K: psig/kPa P: psig/bar W: No Gauge	08: 1" NPT (F) Other connections available	08: 1" NPT (F) Other connections available	None: Without Regulator R44: With Control Regulator (500 ~ 1500 psi) R21: With Control Regulator (< 500 psi)