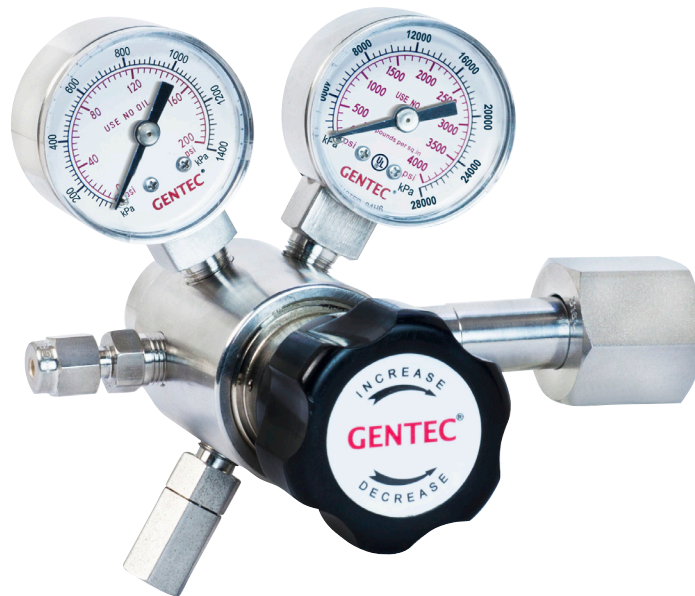


NEW PRODUCT

R30 Series Dual-Stage Regulator

R30 Series regulator is a dual stage high purity diaphragm regulator designed for applications where a consistent outlet pressure and flow are desired. The R30 series is designed for applications where size is a concern. The small footprint is ideal for gas chromatography, gas detection equipment, and emission monitoring systems.



Features

- Dual stage regulation
- Metal-to-Metal Seal
- Inlet Port Size: 1/4" NPT(F)
- Outlet Port Size: 1/8" NPT(F)
- Maximum inlet pressure: 3000 psi
- Outlet pressure: 25 / 50 / 100 / 150 psi
- Safety test pressure: 1.5 x Maximum inlet pressure
- Temperature range: -40 to 165°F (-40 to 74°C)
- Leak Rate:: 2×10^{-8} atm.cc/sec He
- Maximum Cv: 0.05
- Weight: 1.6 lb (0.73kg)

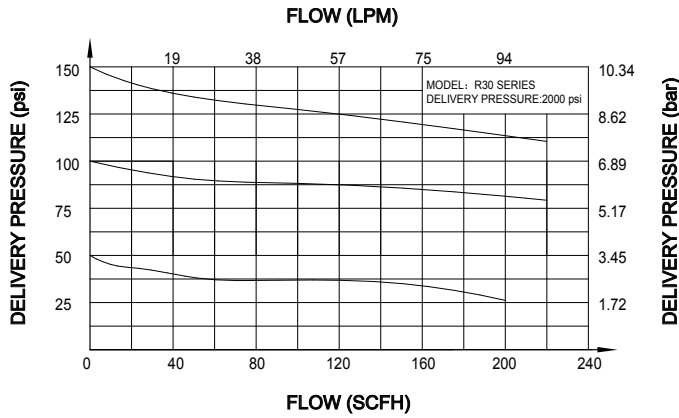
Materials

- Body: Nickel-Plated Brass, 316L
- Seat: PTFE
- Diaphragm: 316L Stainless Steel

Applications

- Gas Chromatography
- Research Laboratories
- Process Analyzer
- Petrochemical Industry
- Pharmaceutical & Biotechnology
- Gas Detection Equipment
- Emission Monitoring Systems

Flow Chart

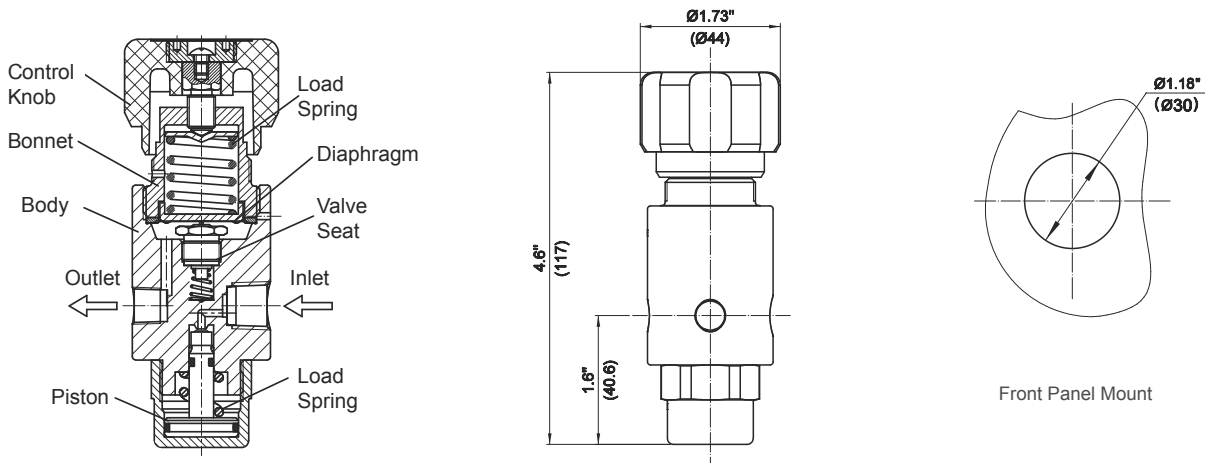


Regulator Port Configurations



* : The "Aux." port is plugged, it can be used for testing only.

Dimension (mm)



Ordering Information

Ex:R30SL	Q	T	- D	K	P	- 00	- 20	- R
Series	Body Ports	Seat	Inlet Pressure	Outlet Pressure	Gauge	Inlet Connection	Outlet Connection	Options
R30B (Nickel-Plated Brass)	M Q	T: PTFE	D: 3000 psi (206 bar)	H: 0-150 psi (10 bar) I: 0-100 psi (7 bar) K: 0-50 psi (3 bar) L: 0-25 psi (1.5 bar)	W: No Gauge P: psi / bar G: MPa	00: 1/4" NPT (F) C180: CGA180 C170: CGA170 C165: CGA165 C330: CGA330 C350: CGA350 C580: CGA580 C660: CGA660 C590: CGA590 52: G5/8"-RH (F) 63: W21.8-14RH (F) 64: W21.8-14LH (F) Other connections available	20: 1/8" NPT (F) 10: 1/8" GENLOK 11: 1/4" GENLOK 15: 6 mm GENLOK 16: 8 mm GENLOK 74: M8 x 1RH (M) Other connections available	P: Panel Mount R: Relief Valve (For "Q" body configuration only)
R30SL (316L)								

