

R45SL SERIES

Ultra High Pressure Low Flow Regulator

Specialty Gas Equipment



▶ R45SLGV-BEP-00-00

GENTEC® R45SL Series Ultra High Pressure Single-Stage Regulator is a Piston-Sensed Regulator applicable for highest pressure applications.

Product Features

- Single-Stage Configuration
- Inlet & Outlet Port Size: 1/4" NPT(F)
- 2" Pressure Gauge

Materials

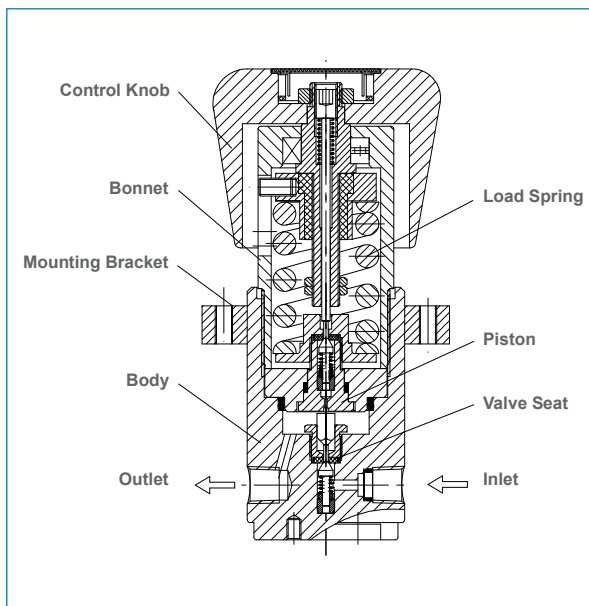
- | | |
|------------------|----------------------|
| • Body | 316L Stainless Steel |
| • Seat | VespeI® |
| • Piston | 316L Stainless Steel |
| • Adjusting Knob | Aluminium Alloy |
| • O-ring | Viton® |

Applications

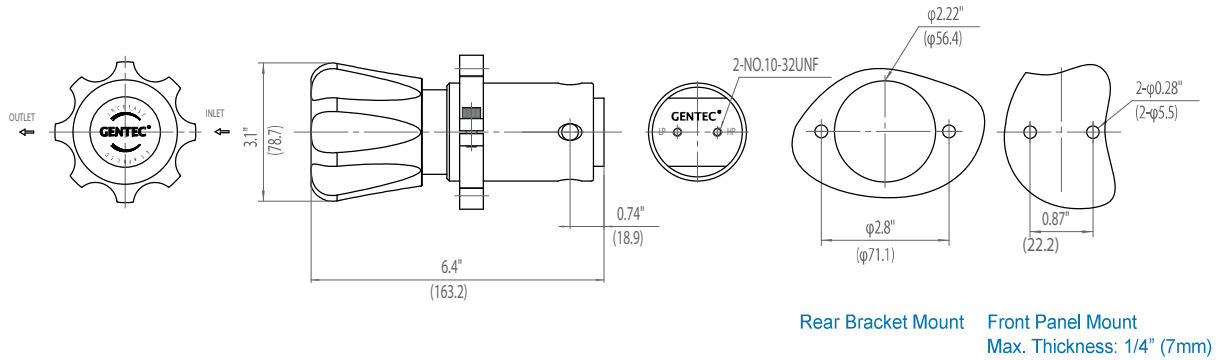
- Semiconductor Industry
- Research Laboratories
- Process Analyzer
- Gas Chromatography
- Petrochemical Industry
- Power Plants

Specifications

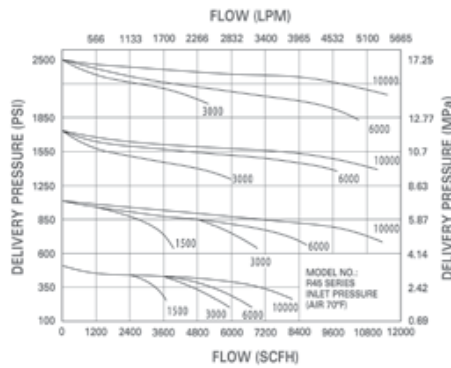
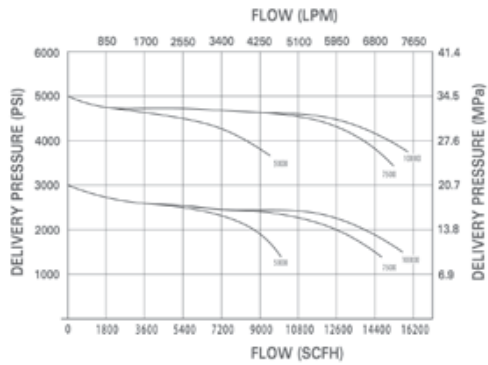
- **Maximum inlet pressure:** 10000 psi (670 bar)
- **Maximum outlet pressure:** 6000 psi (412 bar)
- **Safety test pressure:** 1.5 x Maximum inlet pressure
- **Temperature range:** -40 to 165°F (-40 to 74°C)
- **Inboard leakage:** 2×10^{-8} atm.cc/sec He
- **Outboard leakage:** 2×10^{-8} atm.cc/sec He
- **Maximum Cv:** 0.06
- **Weight:** 4.85 lb (2.2 kg)



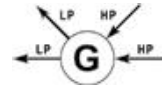
Dimensions



Flow Data



Body Port



Ordering Information

EX:R45SL	G	V -	B	E	K -	00 -	00 -	Options
Series	Body Ports	Seat	Inlet Pressure Ranges	Outlet Pressure Ranges	Gauge	Inlet Connections	Outlet Connections	
• R45SL	G	V: VespeI®	A: 10000 psi (690 bar) B: 6000 psi (414 bar)	B: 0-6000 psi (414 bar) C: 0-4500 psi (310 bar) D: 0-3000 psi (206 bar) E: 0-1500 psi (103 bar)	P: psi / bar K: psi / kPa W: No Gauge	00: 1/4" NPT(F) C347: CGA347 C677: CGA677 C680: CGA680 DN05: DIN477 No.5 BS02: BS341 No.2 Other connections available*	00: 1/4" NPT(F) 01: 1/4" NPT(M) 10: 1/8" GENLOK 11: 1/4" GENLOK 15: 6 mm GENLOK 16: 8 mm GENLOK 14B: 1/4" Hose Barb Other connections available*	Blank: None V: Self relieving (Venting)

*. Please see page 83 for more inlet connection options such as DIN, BSP, CGA, and JIS.