

R54SL SERIES

Tied Diaphragm Regulator

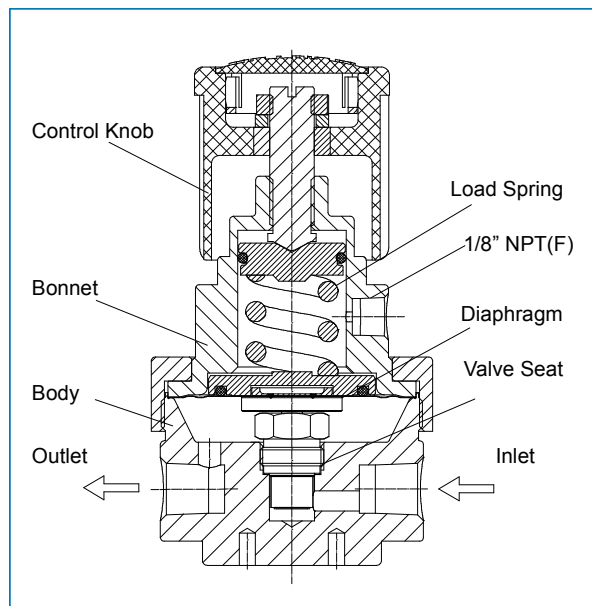
Specialty Gas Equipment



▶ R54SLGK-DKP-00-00

Materials

• Body	316L Stainless Steel
• Bonnet	316L Stainless Steel
• Seat	PCTFE
• Valve Stem:	316L Stainless Steel
• Diaphragm	316L Stainless Steel, Hastelloy®



GENTEC® R54SL Series Single Stage Tied Diaphragm Regulator consists of a specially designed link between the diaphragm and main valve. It is designed to prevent “creep” if contaminants should form on the valve seat. This feature improves regulator performance and extends the life of the diaphragm. Additionally, a high flow mesh filter is installed before gas enters the seat. It is attached onto the seat. The entire unit can be swapped out during maintenance of the regulator (seat / filter / nozzle).

Debris prior to the seat will be caught by the filter, preventing debris from entering the regulator.

Product Features

- Single-Stage Configuration
- Metal-to-Metal diaphragm to body seal
- Integrated waste gas disposal connection for additional safety
- Inlet & Outlet Port Size: 1/4" NPT(F)
- Bonnet port: 1/8" NPT(F)
- Internal Hastelloy valve trim providing an extra measure of resistance against corrosion (optional)

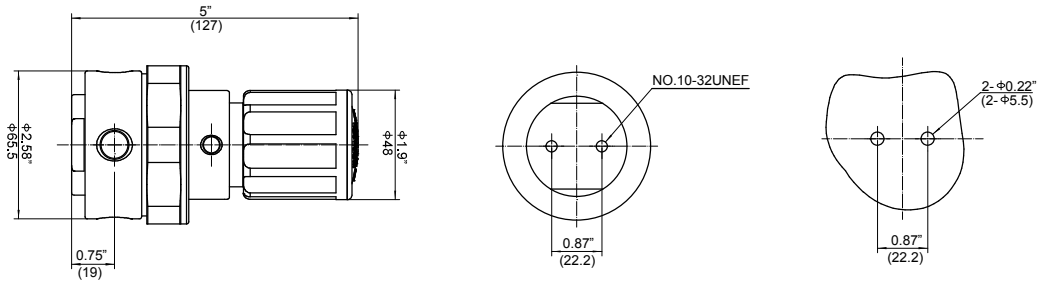
Applications

- Semiconductor Industry
- Research Laboratories
- Regulation of Specialty Gases
- Gas Chromatography
- Oil & Gas
- Device Manufacturers

Specifications

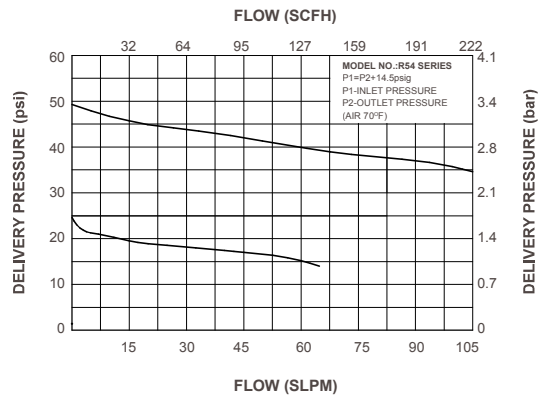
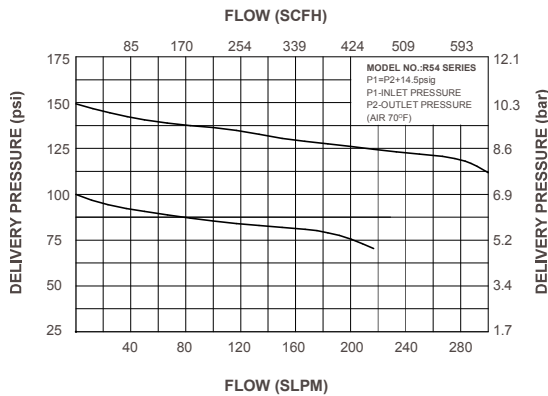
- Maximum inlet pressure: 3000 psig
- Maximum outlet pressure: 150 psig
- Delivery pressure rise: 0.25 psi per 100 psi source pressure drop
- Safety test pressure: 1.5 x Maximum inlet pressure
- Temperature range: -40°F~165°F (-40°C~ 74°C)
- Inboard leakage: 2×10^{-8} atm.cc/sec He
- Outboard leakage: 2×10^{-8} atm.cc/sec He inlet pressure: 1500 psig
- Maximum Cv: 0.1
- Weight: 3.53 lb

Dimensions



Rear Bracket Mount

Flow Data



Ordering Information

EX:R54SL	Q	K -	D	K	P -	00 -	00 -	D
Series	Body Ports	Seat	Inlet Pressure Range	Outlet Pressure Ranges	Gauge	Inlet Connections	Outlet Connections	Options
• R54SL (316L)	A	K: PCTFE	D: 3000 psig	H: 0~150 psig	K: psig/kPa P: psig/bar W: No Gauge	00: 1/4" NPT (F)	00: 1/4" NPT (F)	D: Diaphragm Valve N: Needle Valve R: Relief Valve
	B		E: 1500 psig	I: 0~100 psig		C330: CGA330	10: 1/8" GENLOK	
	G		F: 500 psig	K: 0~50 psig		C350: CGA350	11: 1/4" GENLOK	
• R54SH (Hastelloy® Diaphragm and Valve Stem)	J			L: 0~25 psig		C580: CGA580	Other connections available	
	M			Q: 30" Hg Vac~30 psig		C660: CGA660		
	Q			S: 30" Hg Vac~100 psig		C590: CGA590		
				T: 30" Hg Vac~200 psig		Other connections available		
						VF4: Internal 1/4"FSR(F)	VF4: Internal 1/4"FSR(F)	