

# G152T SERIES

General Purpose Medium Flow Regulator

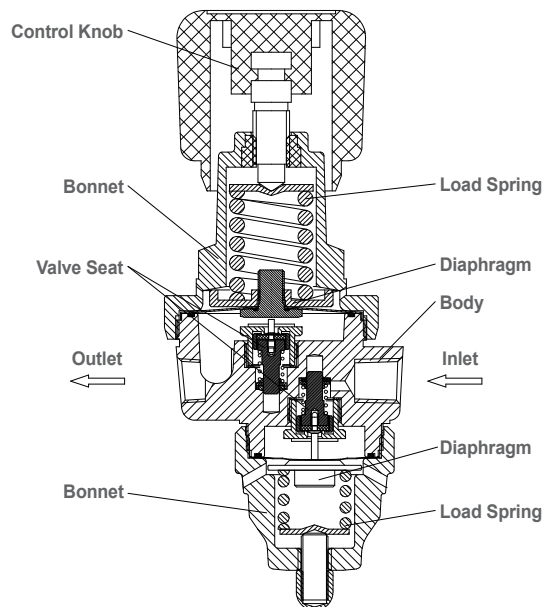
Specialty Gas Equipment



## » G152T-DGK-C540-01-NR

### Materials

- |                  |                            |
|------------------|----------------------------|
| • Body           | Forged Brass               |
| • Bonnet         | Nickel-Plated Forged Brass |
| • Seat           | PU                         |
| • Diaphragm      | Neoprene                   |
| • Seal           | Nylon                      |
| • Adjusting Knob | ABS plastic                |



GENTEC® G152T Series is a Dual-Stage Brass Regulator designed for General Purpose laboratory applications where continuous outlet flow and pressure are desired.

Not recommended for high purity application in which outgassing due to elastomeric components would adversely affect the process.

### Product Features

- Neoprene Diaphragm: 1-1/4" for Single-Stage, 2" for Dual-Stage
- 2" Dual-Scale Pressure Gauges in gold steel casing
- Optional outlet: Needle Valve or Diaphragm Valve
- Conforms to CGA E-4 standard for Gas Pressure Regulators

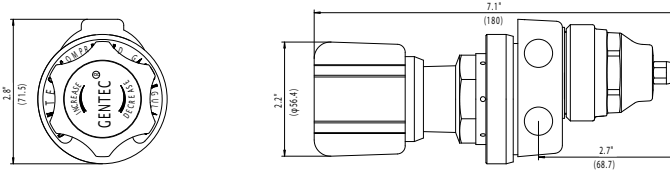
### Applications

- Non-Corrosive Gases
- Purging
- Leak Testing
- Gas Shielding

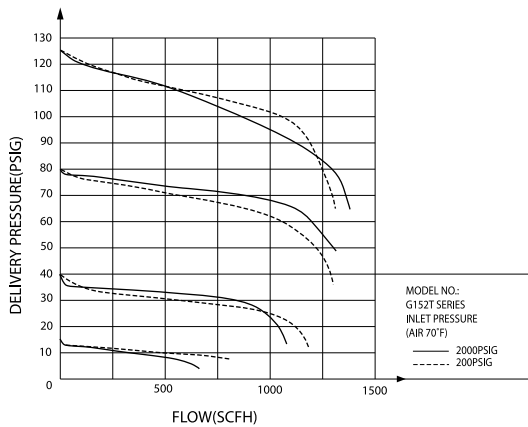
### Specifications

- Maximum inlet pressure: 3000 psig
- Maximum outlet pressure: 250 psig
- Operating temperature range: 0 to 140°F (-17 to 60°C)
- Weight: 4 lb 1 oz

**Dimensions**



**Flow Data**



**Ordering Information**

EX: G152T-Series	D Inlet Pressure Range	G Outlet Pressure Ranges	K - Gauge	C540 - Inlet Connections	01 - Outlet Connections	NR Options
• G152T	D: 3000 psig	G: 0-250 psig H: 0-150 psig I: 0-100 psig K: 0-50 psig M: 0-15 psig	K: psig/kPa P: psig/bar W: No Gauge	00: 1/4" NPT(F) C346: CGA346 C320: CGA320 C350: CGA350 C510: CGA510 C540: CGA540 C580: CGA580 C590: CGA590 C326: CGA326 C500: CGA500 Other connections available	00: 1/4" NPT(F) 01: 1/4" NPT(M) 10: 1/8" GENLOK 11: 1/4" GENLOK 14B: 1/4" Hose Barb Other connections available	D: Diaphragm Valve N: Needle Valve R: Relief Valve