

R31SL SERIES

High Purity Low Flow Regulator

Solutions for Life



» R31SLMK-DIK-C350-11-D

GENTEC® R31SL Series Stainless Steel Regulator is a diaphragm-sensed dual-stage high purity regulator designed for applications where a consistent outlet pressure and flow are desired.

Product Features

- Dual-Stage Configuration
- Metal-to-Metal Seal
- Inlet & Outlet Port Size: 1/4" NPT(F)
- 2" Pressure Gauge

Materials

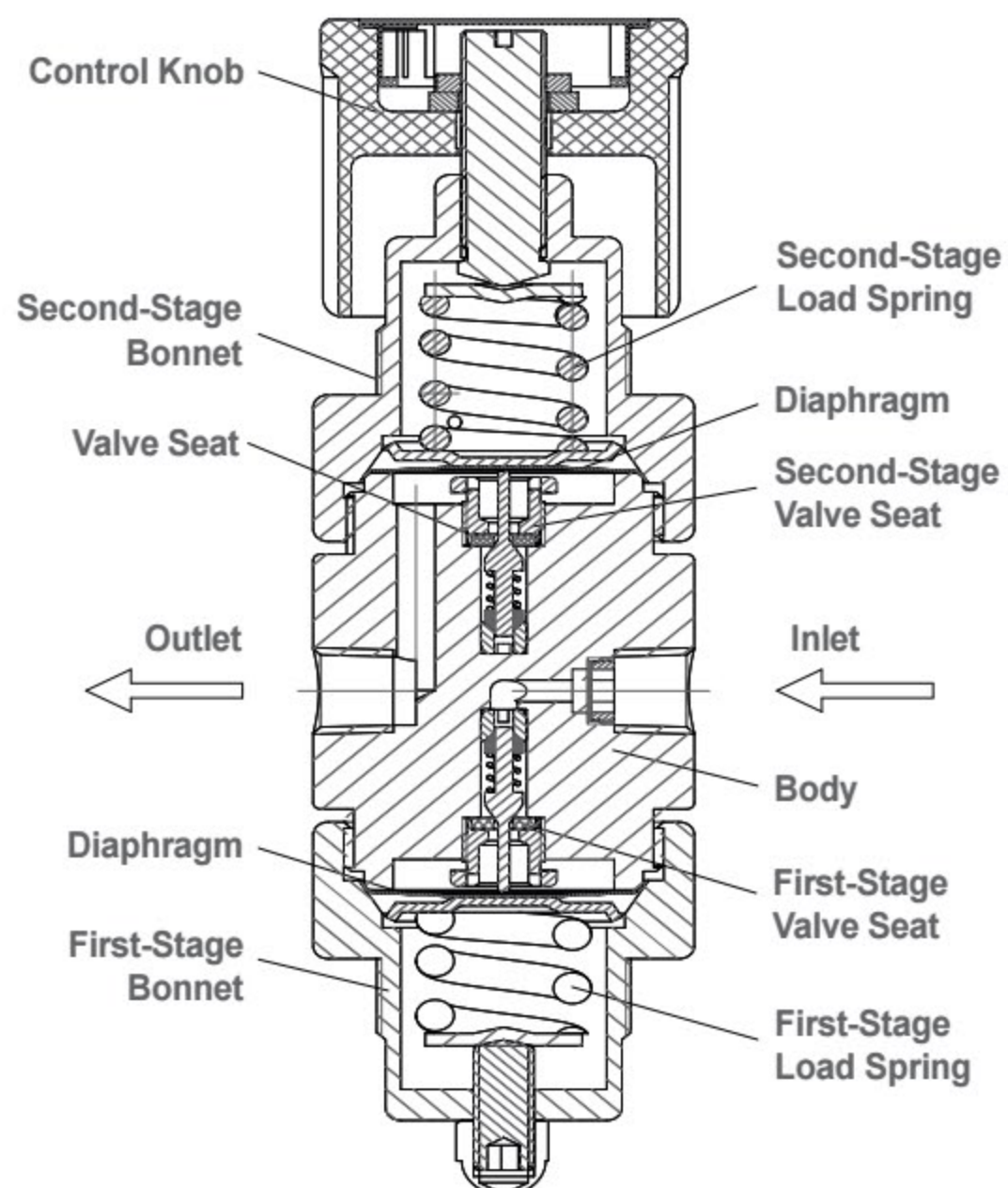
- | | |
|------------------|----------------------|
| • Body | 316 Stainless Steel |
| • Bonnet | 316L Stainless Steel |
| • Seat | PCTFE |
| • Diaphragm | 316L Stainless Steel |
| • Adjusting Knob | ABS Plastic |

Applications

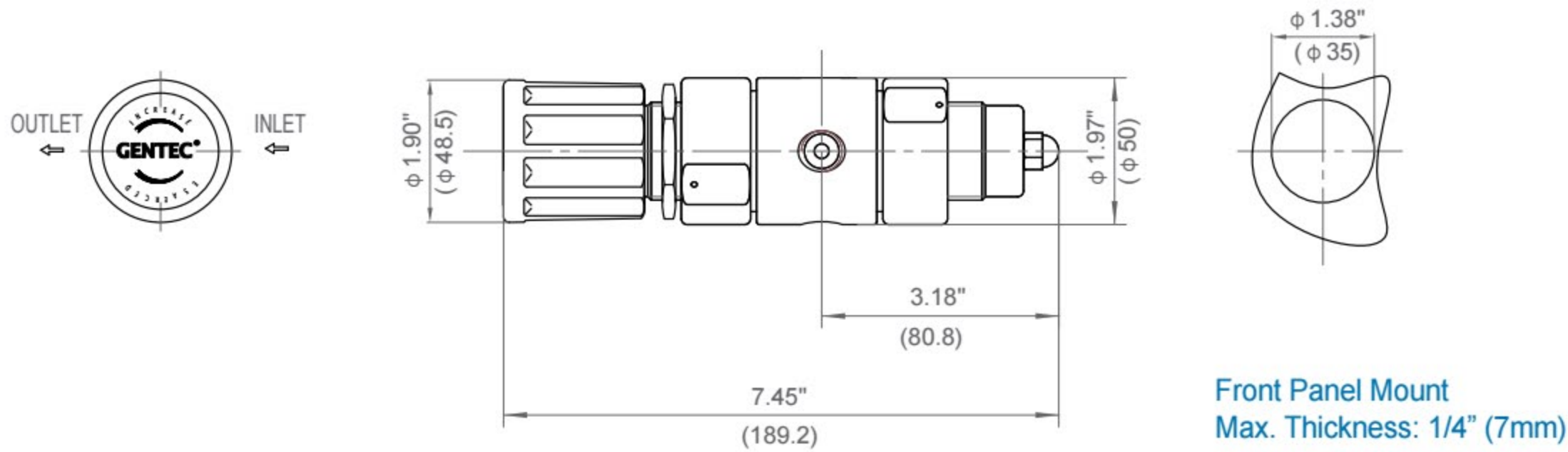
- Research Laboratories
- Gas Chromatography
- Process Analyzers
- Petrochemical Industry
- Power Plant

Specifications

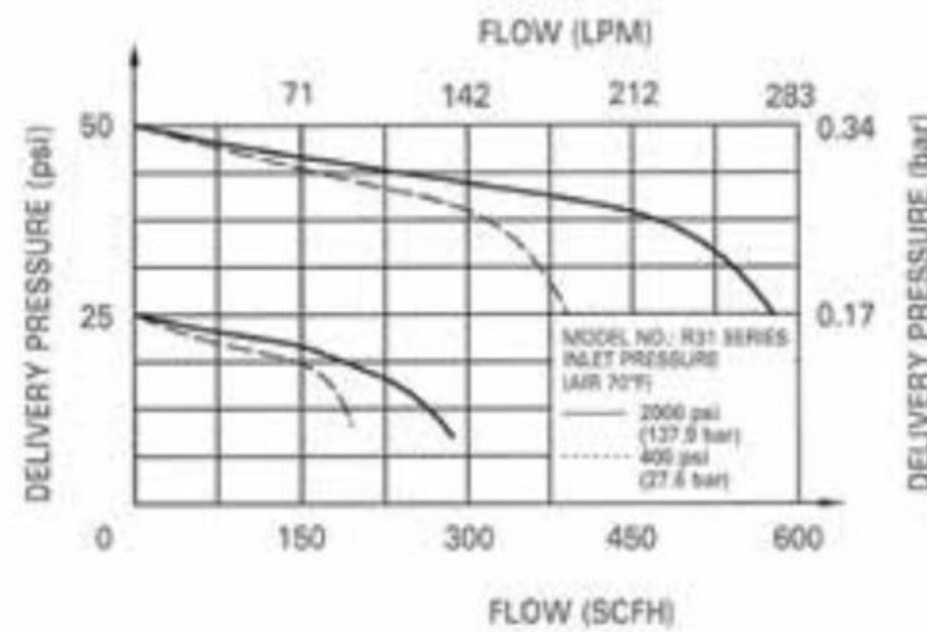
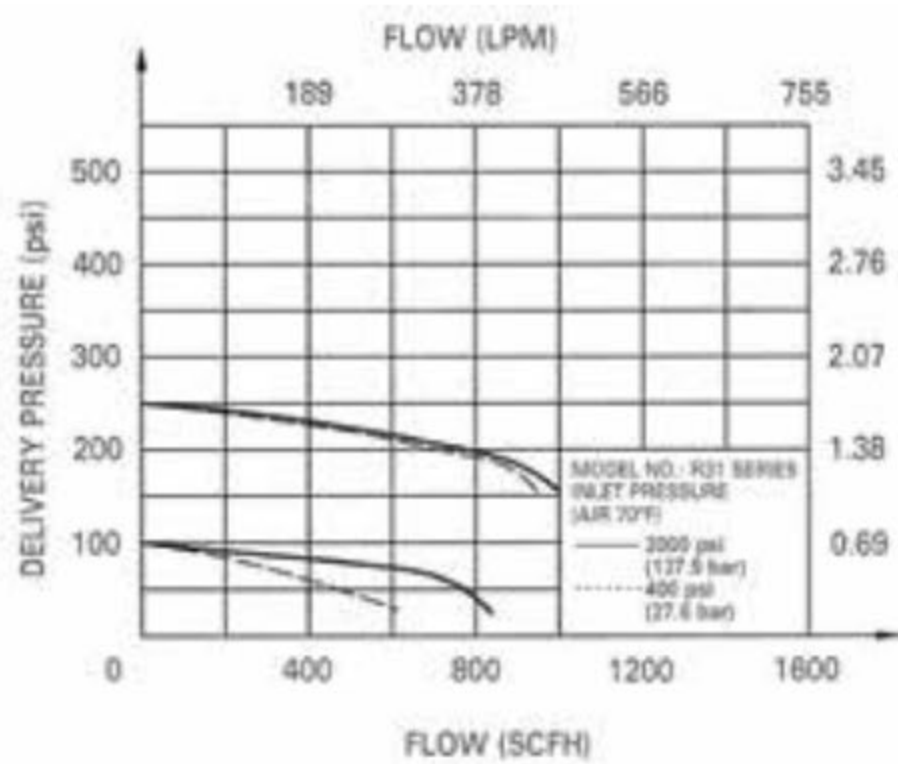
- Maximum inlet pressure: 4500 psi (310 bar)
- Maximum outlet pressure: 250 psi (17 bar)
- Safety test pressure: 1.5 x Maximum inlet pressure
- Temperature range: -40 to 165°F (-40 to 74°C)
- Inboard leakage: 2×10^{-8} atm.cc/sec He
- Outboard leakage: 2×10^{-8} atm.cc/sec He
- Maximum Cv: 0.08
- Weight: 3.97 lb (1.8 kg)



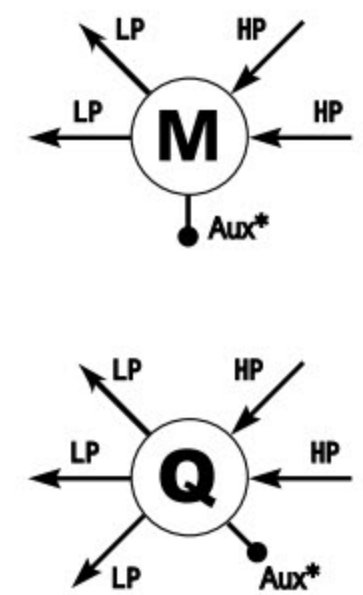
Dimensions



Flow Data



Body Ports



* For R31 Series, the "Aux." port is plugged. This port can be used for purging purpose only.
* For the "Aux." port of R31 Series, this port is plugged and cannot be used for relief valve installation.

Ordering Information

EX:R31SL	M	K -	D	I	K -	C350 -	11 -	D
Series	Body Ports	Seat	Inlet Pressure Range	Outlet Pressure Ranges	Gauge	Inlet Connections	Outlet Connections	Options
• R31SL	M Q	K: PCTFE	C: 4500 psi (310 bar) D: 3000 psi (206 bar)	G: 0-250 psi (17 bar) I: 0-100 psi (7 bar) K: 0-50 psi (3 bar) L: 0-25 psi (1.5 bar) Q: 30" Hg Vac-30 psi (2 bar) S: 30" Hg Vac-100 psi (7 bar) T: 30" Hg Vac-200 psi (14 bar)	P: psi / bar K: psi / kPa W: No Gauge	00: 1/4" NPT(F) C330: CGA330 C350: CGA350 C580: CGA580 C660: CGA660 C590: CGA590 DN05: DIN477 No.5 BS02: BS341 No.2 Other connections available*	00: 1/4" NPT(F) 01: 1/4" NPT(M) 10: 1/8" GENLOK 11: 1/4" GENLOK 15: 6 mm GENLOK 16: 8 mm GENLOK 14B: 1/4" Hose Barb Other connections available*	Blank: None D: Diaphragm Valve N: Needle Valve P: Panel Mount R: Relief Valve H: Hastelloy® Diaphragm DU: Dursan 2x coating SI: Silconert coating

*: Please see page 83 for more inlet connection options such as DIN, BSP, CGA, and JIS.