

HP152 SERIES

High Purity Medium Flow Regulator

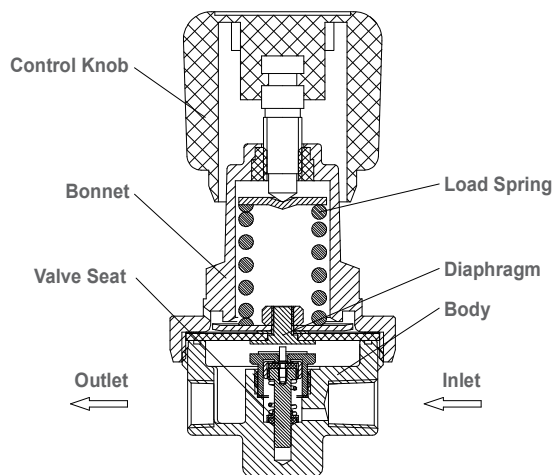
Specialty Gas Equipment



▶ HP152-DKK-C350-01-NR

Materials

- | | |
|------------------|----------------------------|
| • Body | Nickel-Plated Forged Brass |
| • Bonnet | Nickel-Plated Forged Brass |
| • Seat | PU |
| • Diaphragm | 316L Stainless Steel |
| • Adjusting Knob | ABS Plastic |



GENTEC® HP152 Series is a Single-Stage High Purity Brass Regulator designed for High Purity applications where occasional readjustment of the working pressure is acceptable.

Not recommended for corrosive gases.

Product Features

- 2" 316L Stainless Steel Diaphragm
- 2" Dual-Scale Pressure Gauges
- Optional outlet: Needle Valve or Diaphragm Valve
- Conforms to CGA E-4 standard for Gas Pressure Regulators

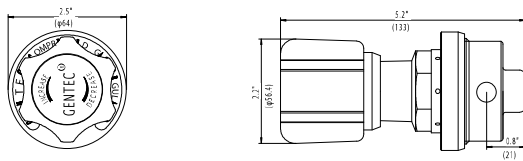
Applications

- Calibration of Pressures Gauges & Test Equipment
- Supply of carrier gases for Gas Chromatography

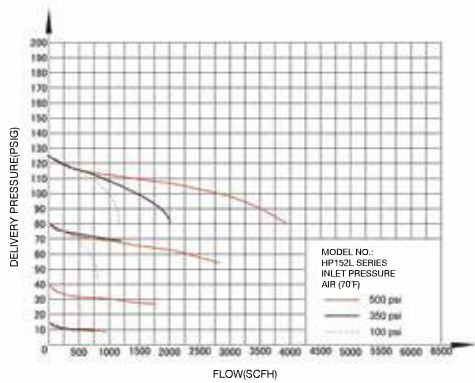
Specifications

- Maximum inlet pressure: 3000 psig
- Maximum outlet pressure: 250 psig
- Operating temperature range: 0 to 140°F (-17 to 60°C)
- Weight: 3 lb 2 oz

Dimensions



Flow Data



Ordering Information

EX: HP152L-Series	F Inlet Pressure Range	H Outlet Pressure Ranges	K - Gauge	11 - Inlet Connections	11 Outlet Connections
• HP152L	F: 500 psig	H: 0-150 psig I: 0-100 psig K: 0-50 psig M: 0-15 psig	K: psig/kPa P: psig/bar W: No Gauge	00: 1/4" NPT(F) 01: 1/4" NPT(M) 10: 1/8" GENLOK 11: 1/4" GENLOK 14B: 1/4" Hose Barb Other connections available	00: 1/4" NPT(F) 01: 1/4" NPT(M) 10: 1/8" GENLOK 11: 1/4" GENLOK 14B: 1/4" Hose Barb Other connections available