

# R13B SERIES

High Purity Low Flow Regulator

Specialty Gas Equipment



▶ R13BGT-DJK-52-71

GENTEC® R13B Series Regulator is a Diaphragm-Sensed Single-Stage High Purity Regulator designed for applications where low flow is desired.

## Product Features

- Single-Stage Configuration
- Metal-to-Metal Seal
- Inlet & Outlet Port Size: 1/4" NPT(F)
- 1.5" Pressure Gauge

## Materials

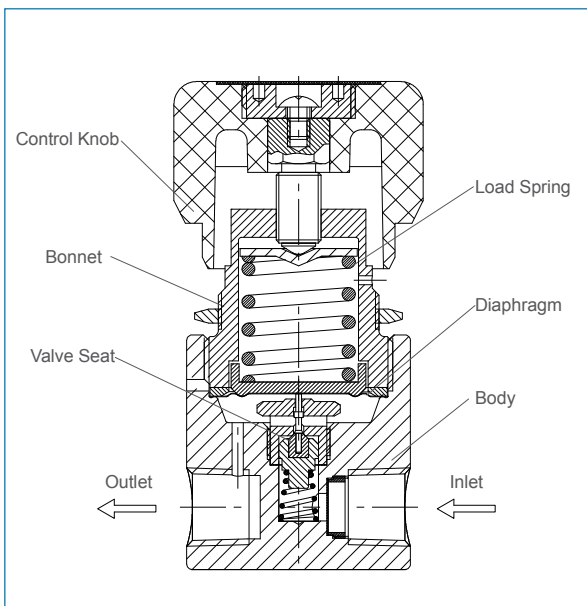
- |             |                              |
|-------------|------------------------------|
| • Body      | Nickel-Plated Brass Barstock |
| • Seat      | PTFE                         |
| • Diaphragm | 316L Stainless Steel         |
| • Stem      | 316L Stainless Steel         |
| • Spring    | 316L Stainless Steel         |

## Applications

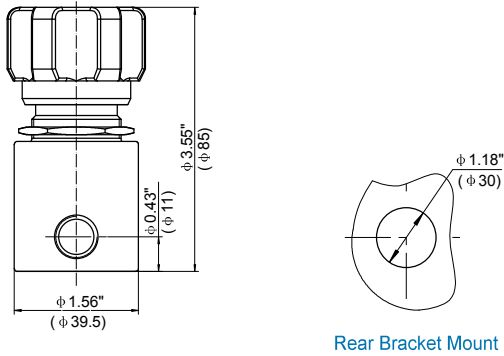
- Gas Chromatography
- Research Laboratories
- Process Analyzer
- Petrochemical Industry
- Semi-conductor Industry
- Power Plant

## Specifications

- **Maximum inlet pressure:** 3000 psi (206 bar)
- **Maximum outlet pressure:** 150 psi (10 bar)
- **Safety test pressure:** 1.5 x Maximum inlet pressure
- **Temperature range:** -40 to 165°F (-40 to 74°C)
- **Inboard leakage:**  $2 \times 10^{-8}$  atm,cc/sec He
- **Outboard leakage:**  $2 \times 10^{-8}$  atm,cc/sec He
- **Maximum Cv:** 0.06
- **Weight:** 1.3 lb (0.6 kg)

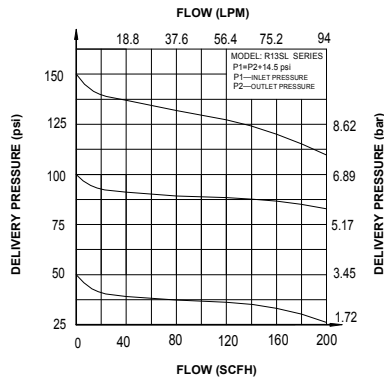


**Dimensions**

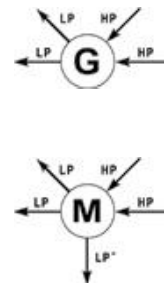


Rear Bracket Mount

**Flow Data**



**Body Port**



**Ordering Information**

EX:R13B	G	T -	D	H	K -	01 -	10	Options
Series	Body Ports	Seat	Inlet Pressure Range	Outlet Pressure Ranges	Gauge	Inlet Connections	Outlet Connections	
• R13B	G M	T: PTFE	D: 3000 psi (206 bar)	H: 0-150 psi (10 bar) I: 0-100 psi (7 bar) J: 0-75 psi (5 bar) K: 0-50 psi (3 bar) L: 0-25 psi (2 bar)	P: psi / bar K: psi / kPa W: No Gauge	00: 1/4" NPT(F) 01: 1/4" NPT(M) C330: CGA330 C350: CGA350 C580: CGA580 C660: CGA660 C590: CGA590 DN05: DIN477 No.5 BS02: BS341 No.2 52: G5/8"-RH(F) Other connections available*	00: 1/4" NPT(F) 10: 1/8" GENLOK 15: 6 mm GENLOK 16: 8 mm GENLOK Other connections available*	R: Relief Valve

\*: Please see page 83 for more inlet connection options such as DIN, BSP, CGA, and JIS.