

R21SL SERIES

High Purity Low Flow Line Regulator

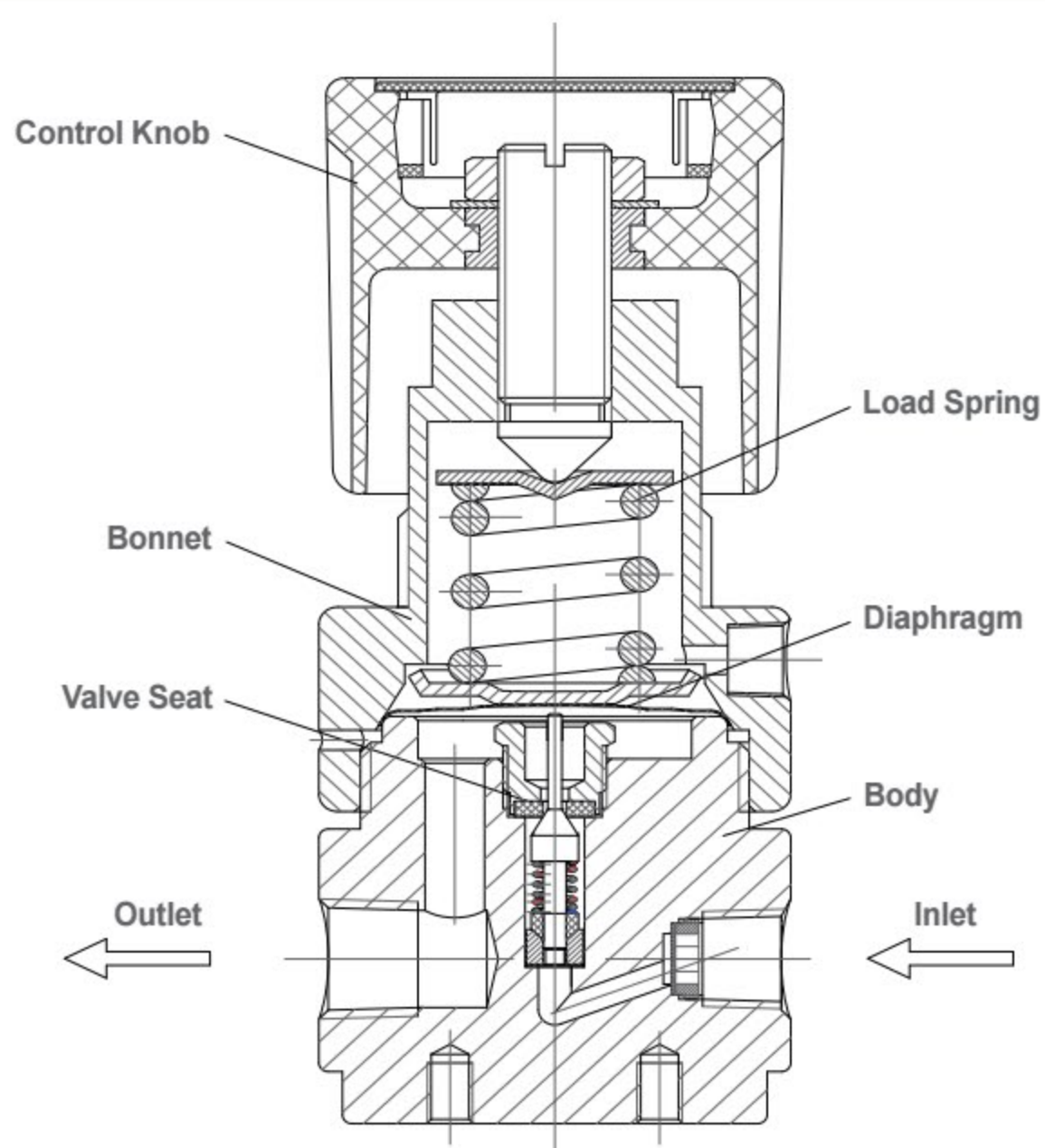
Solutions for Life



» R21SLJT-FIK-11-11

Materials

- | | |
|-------------|----------------------------------|
| • Body | 316L Stainless Steel |
| • Seat | PTFE |
| • Diaphragm | 316L Stainless Steel, Hastelloy® |
| • Stem | 316L Stainless Steel |
| • Spring | 316 Stainless Steel |



GENTEC® R21SL Series Stainless Steel Line Regulator is a diaphragm-sensed single-stage high purity line regulator.

Product Features

- Single-Stage Configuration
- Metal-to-Metal Seal
- Inlet & Outlet Port Size: 1/4" NPT(F)
- 2" Pressure Gauge

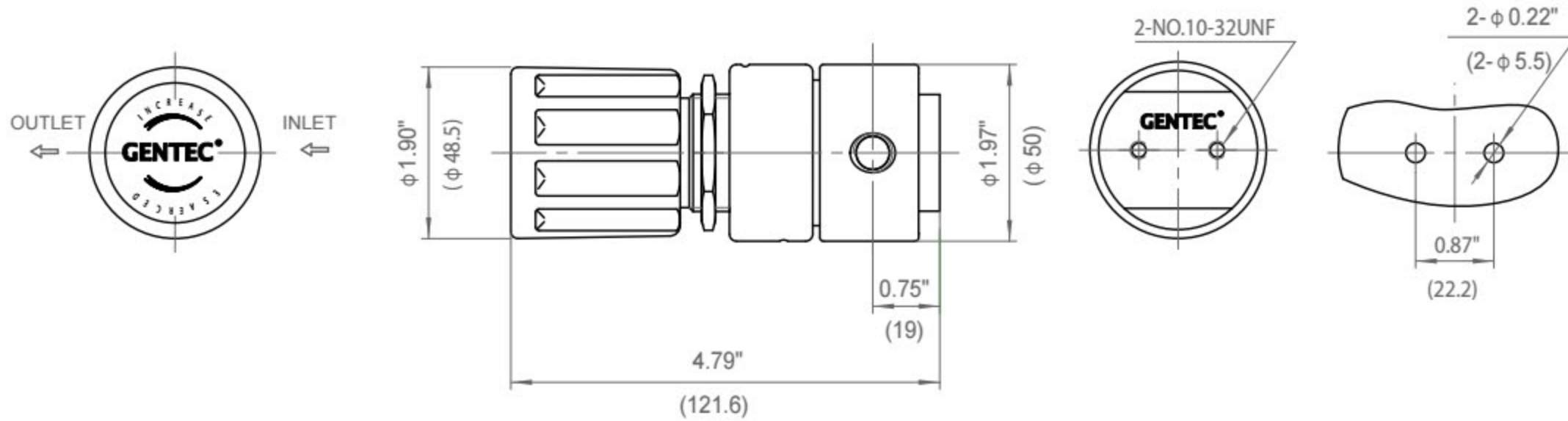
Applications

- Semiconductor Industry
- Research Laboratories
- Process Analyzer
- Gas Chromatography
- Petrochemical Industry
- Power Plants

Specifications

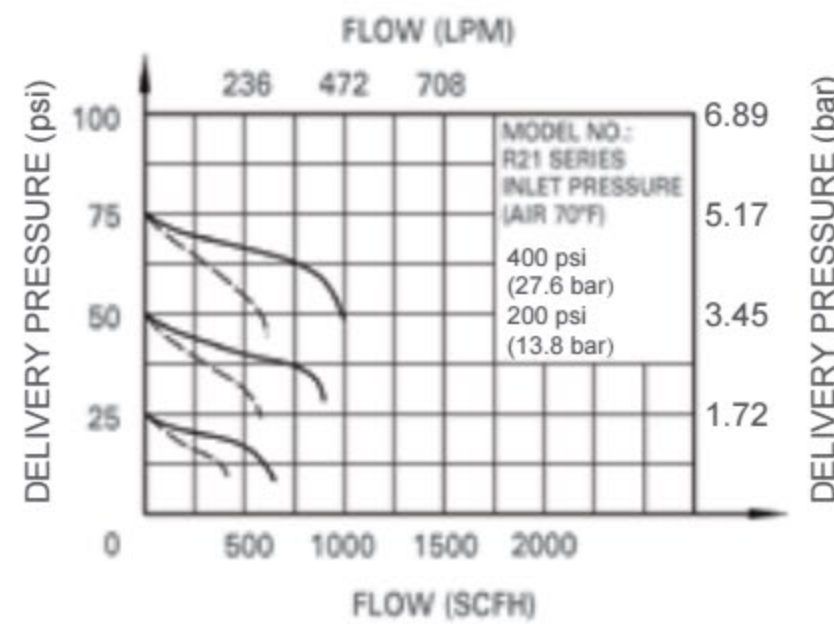
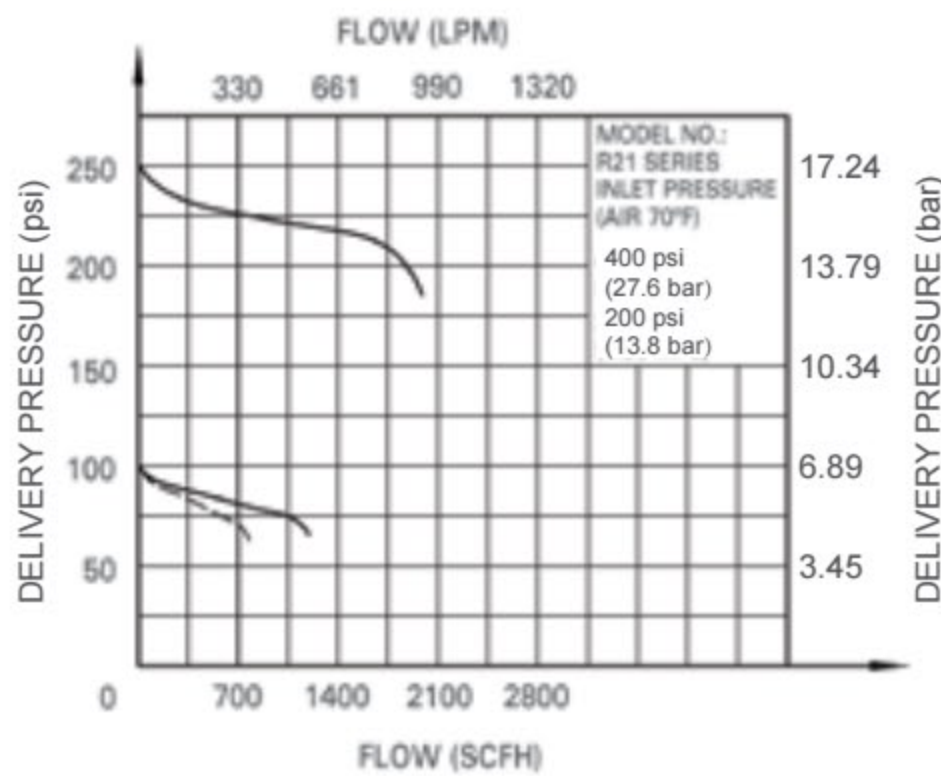
- Maximum inlet pressure: 500 psi (35 bar)
- Maximum outlet pressure: 250 psi (17 bar)
- Safety test pressure: 1.5 x Maximum inlet pressure
- Temperature range: -40 to 165°F (-40 to 74°C)
- Inboard leakage: 2×10^{-8} atm.cc/sec He
- Outboard leakage: 2×10^{-8} atm.cc/sec He
- Maximum Cv: 0.14
- Weight: 1.98 lb (0.9 kg)

Dimensions

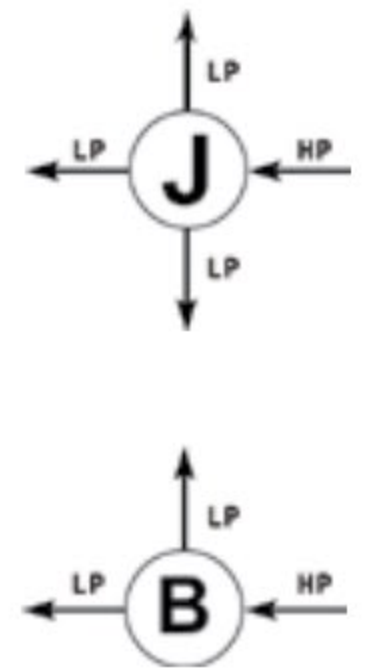


Rear Bracket Mount

Flow Data



Body Port



Ordering Information

EX:R21SL	J	T -	F	I	K -	11 -	11	
Series	Body Ports	Seat	Inlet Pressure Range	Outlet Pressure Ranges	Gauge	Inlet Connections	Outlet Connections	Options
<ul style="list-style-type: none"> R21SL (316L) R21SH (Hastelloy® Diaphragm and Valve Stem) 	J B	T: PTFE	F: 500 psi (35 bar)	G: 0-250 psi (17 bar) I: 0-100 psi (7 bar) K: 0-50 psi (3 bar) L: 0-25 psi (1.5 bar) Q: 30" Hg Vac-30 psi (2 bar) S: 30" Hg Vac-100 psi (7 bar) T: 30" Hg Vac-200 psi (14 bar)	P: psi / bar K: psi / kPa W: No Gauge	00: 1/4" NPT(F) 01: 1/4" NPT(M) 10: 1/8" GENLOK 11: 1/4" GENLOK 15: 6 mm GENLOK 16: 8 mm GENLOK Other connections available*	00: 1/4" NPT(F) 01: 1/4" NPT(M) 10: 1/8" GENLOK 11: 1/4" GENLOK 15: 6 mm GENLOK 16: 8 mm GENLOK Other connections available*	Blank: None D: Diaphragm Valve N: Needle Valve P: Panel Mount H: Hastelloy® Diaphragm

*: For more connection options contact Gentec.

R21SL SERIES

High Purity Low Flow Regulator

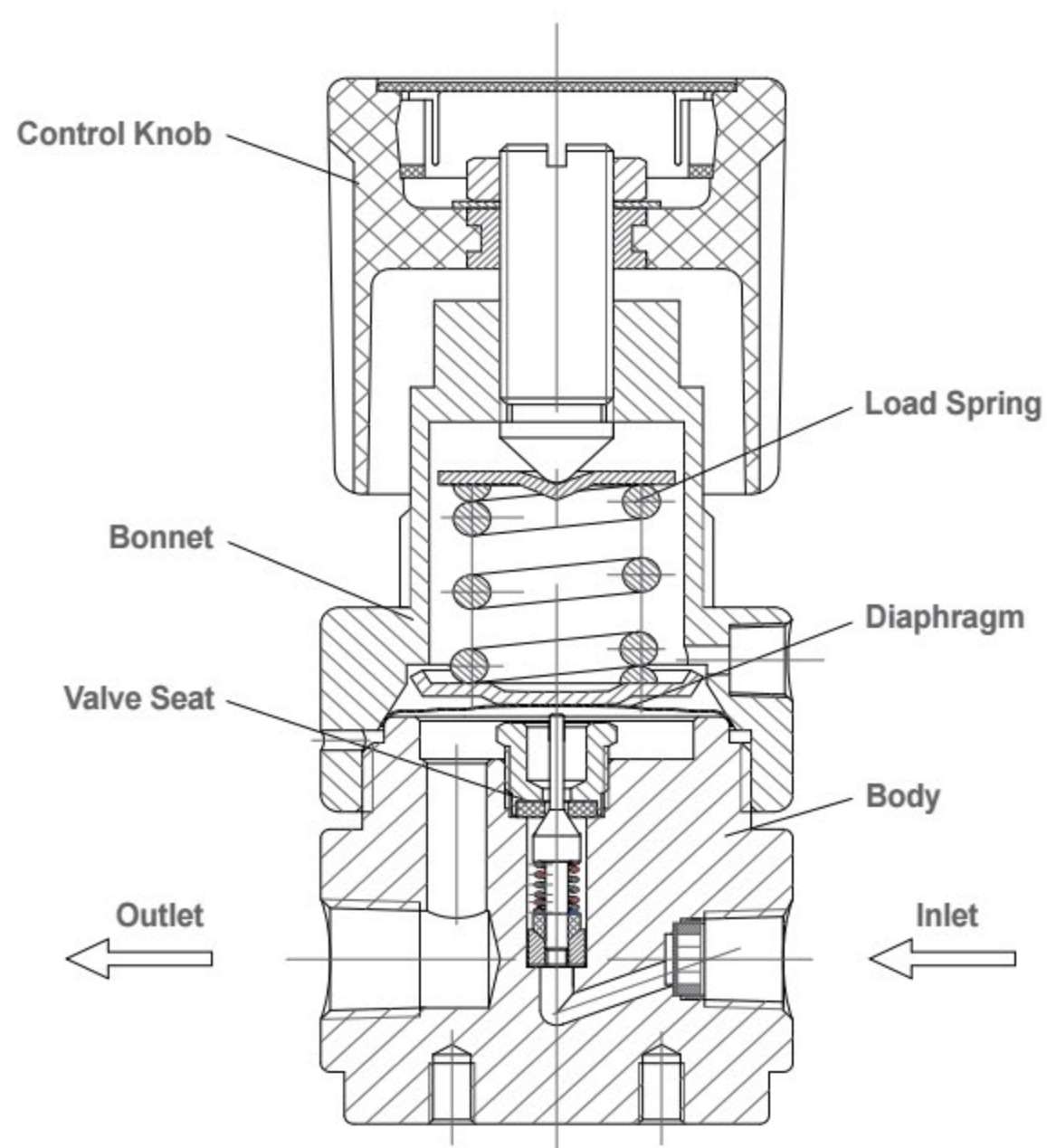
Solutions for Life



» R21SLMK-DIK-C580-11-D

Materials

- **Body** 316L Stainless Steel
- **Bonnet** 316 Stainless Steel
- **Seat** PCTFE
- **Diaphragm** 316L Stainless Steel, Hastelloy®
- **Adjusting Knob** ABS Plastic



GENTEC® R21SL Series Stainless Steel Regulator is a diaphragm-sensed single-stage high purity regulator.

Product Features

- Single-Stage Configuration
- Metal-to-Metal Seal
- Inlet & Outlet Port Size: 1/4" NPT(F)
- 2" Pressure Gauge

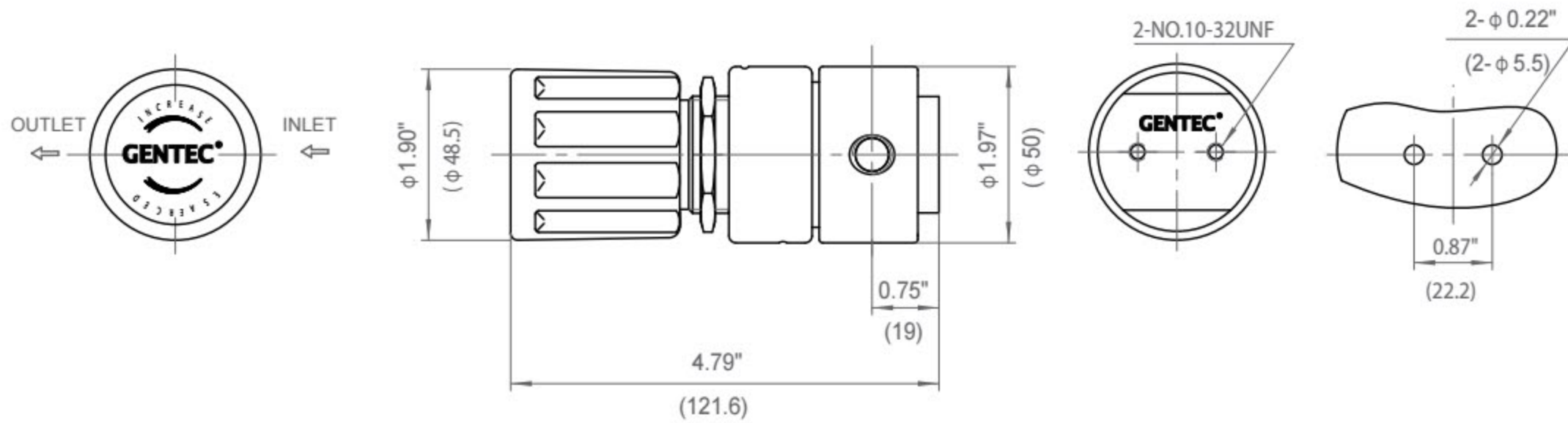
Applications

- Semiconductor Industry
- Research Laboratories
- Process Analyzer
- Gas Chromatography
- Petrochemical Industry
- Power Plants

Specifications

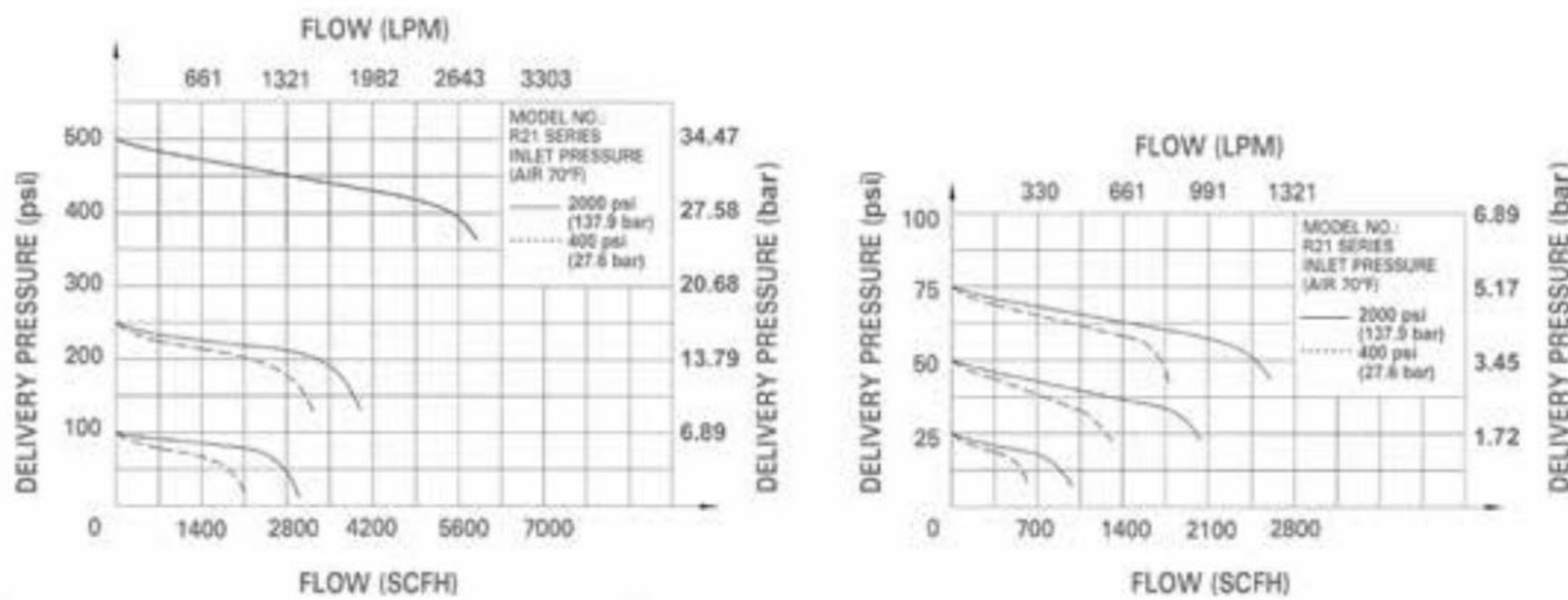
- **Maximum inlet pressure:** 4500 psi (310 bar)
- **Maximum outlet pressure:** 500 psi (35 bar)
- **Safety test pressure:** 1.5 x Maximum inlet pressure
- **Temperature range:** -40 to 165°F (-40 to 74°C)
- **Inboard leakage:** 2×10^{-8} atm.cc/sec He
- **Outboard leakage:** 2×10^{-8} atm.cc/sec He
- **Maximum Cv:** 0.14
- **Weight:** 2.87 lb (1.3 kg)

Dimensions

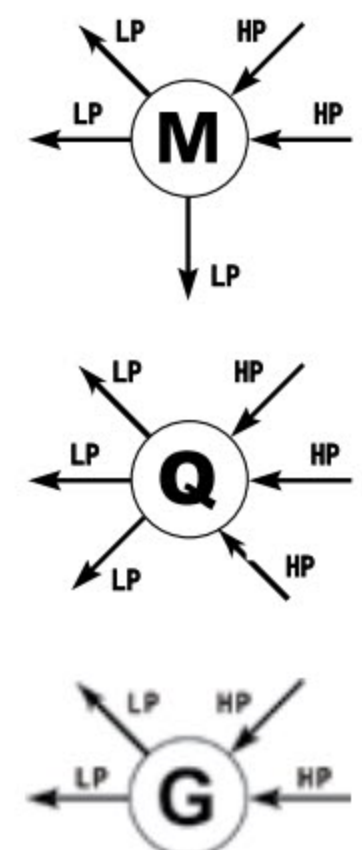


Rear Bracket Mount

Flow Data



Body Ports



Ordering Information

EX: R21SL	M	K -	D	I	K -	C580 -	11 -	D
Series	Body Ports	Seat	Inlet Pressure Range	Outlet Pressure Ranges	Gauge	Inlet Connections	Outlet Connections	Options
• R21SL (316L)	M	K: PCTFE	C: 4500 psi (310 bar)	F: 0-500 psi (35 bar) G: 0-250 psi (17 bar)	P: psi / bar K: psi / kPa W: No Gauge	00: 1/4" NPT(F) C346: CGA346 C320: CGA320 C350: CGA350 C510: CGA510 C540: CGA540 C580: CGA580 C590: CGA590 C326: CGA326 DN05: DIN477 No.5 BS02: BS341 No.2 Other connections available*	00: 1/4" NPT(F) 01: 1/4" NPT(M) 10: 1/8" GENLOK 11: 1/4" GENLOK 15: 6 mm GENLOK 16: 8 mm GENLOK Other connections available*	D: Diaphragm Valve N: Needle Valve P: Panel Mount R: Relief Valve H: Hastelloy® Diaphragm DU: Dursan 2x coating SI: Silconert coating
• R21SH (Hastelloy® Diaphragm and Valve Stem)	Q G		D: 3000 psi (206 bar)	I: 0-100 psi (7 bar) K: 0-50 psi (3 bar) L: 0-25 psi (1.5 bar) Q: 30" Hg Vac-30 psi (2 bar) S: 30" Hg Vac-100 psi (7 bar) T: 30" Hg Vac-200 psi (14 bar)				

*: Please see page 83 for more inlet connection options such as DIN, BSP, CGA, and JIS.