

U41 SERIES ULTRA HIGH PURITY REGULATOR

U41 series single stage ultra high purity regulator is developed for the semiconductor industry, it is manufactured in accordance with SEMI requirement and assembled, tested and packaged in a class 100 clean room.



» U41SLBK-DEP-VSM4-E



» U41SLAK-DEW-VSF4-E

Features

- 316L stainless steel body
- Based on the proven bellows technology
- Bellows seal valves to safeguard against leakage
- Easy front panel and rear bracket mounting
- Gauge ports are standard with 1/4" face seal male
- Fully internal electropolished
- Cleaned, assembled, and packaged for high-purity semiconductor applications
- High-cycle life
- 100% Helium-leak tested

Materials

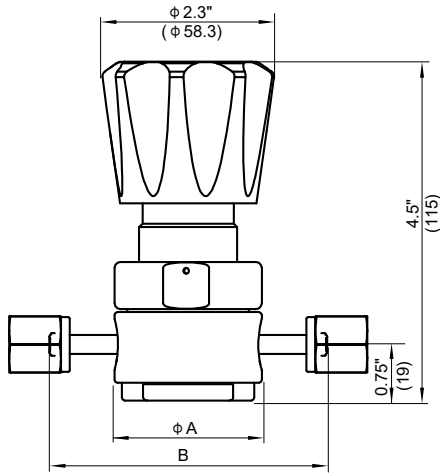
- Body: 316L
- Seat: PCTFE*, Vespel®
- Bellows: 316L

Specifications

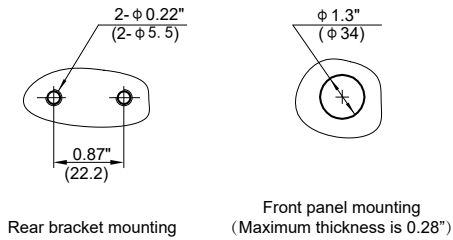
- Max. Inlet Pressure: 3000psi (206 bar)
- Max. Outlet Pressure: 0~500psi (34 bar), 0~1500psi (100 bar)
- Temperature: -40°F ~ 165°F (-40°C ~ 74°C)
- Cv: 0.14
- Inboard leakage: 1×10^{-9} atm/sec He
- Across seat leakage: 4×10^{-8} atm/sec He
- Proof pressure: 150% of maximum rated pressure
- Burst pressure: 400% of maximum rated pressure
- Surface Finish: 10 uin
- Internal Volume: 4.5 cc

*: Standard material

Dimensions

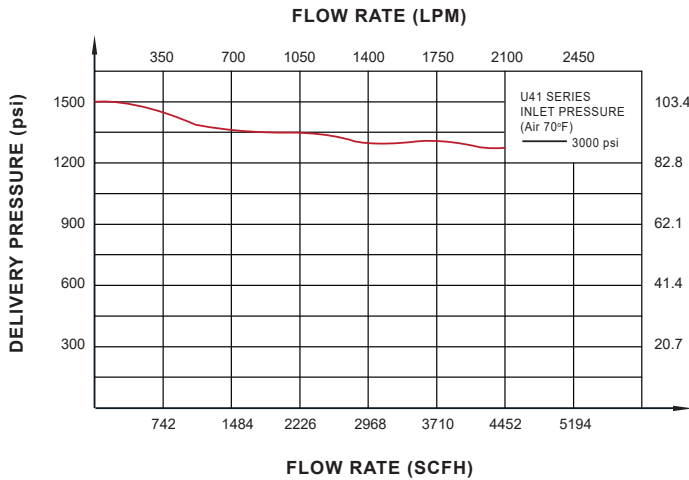


Connection Type	Dimension in.(mm)	
	A	B
VSF4	1/4" swivel female FSR	3.7" (94)
VSM4	1/4" swivel male FSR	3.7" (94)
VSF8	1/2" swivel female FSR	4.7" (119.4)
VSM8	1/2" swivel male FSR	4.7" (119.4)
TW4	1/4" weld stub	2.96" (75.2)
TW6	3/8" weld stub	2.96" (75.2)

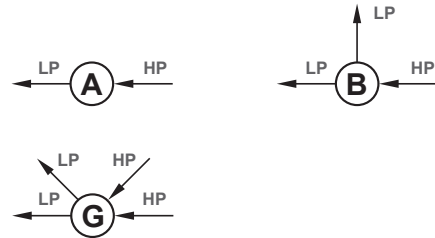


Dimension: in.(mm)

Flow Data



Regulator Port Configurations



Ordering Information

EX:	U41	SL	B	K	- D	E	P	- VSF4	- E	- P
	Series	Body	Ports	Seat	Inlet Pressure	Outlet Pressure	Pressure Gauge	Inlet / Outlet Connection	Surface Finish	Options
	U41	SL: 316L	A B G	K: PCTFE V: Vespel®	D: 3000 psi	E: 0 ~ 1500 psi F: 0 ~ 500 psi	W: Without Gauge P: psi / bar Gauge K: psi / kPa Gauge	VSF4, VSM4 VSF8, VSM8 TW4, TW6	E: Ra 10 µin	None: Rear Bracket Mounting P: Panel Mounting

