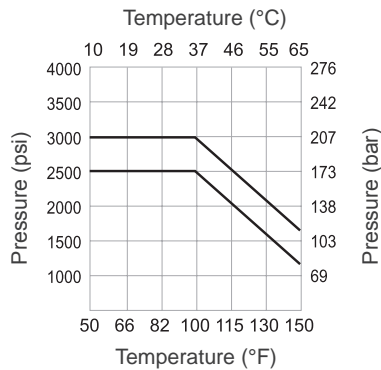


BV13, BV14, BV15, BV16, BV18 SERIES

2-Way Ball Valves

GENTEC® Valves

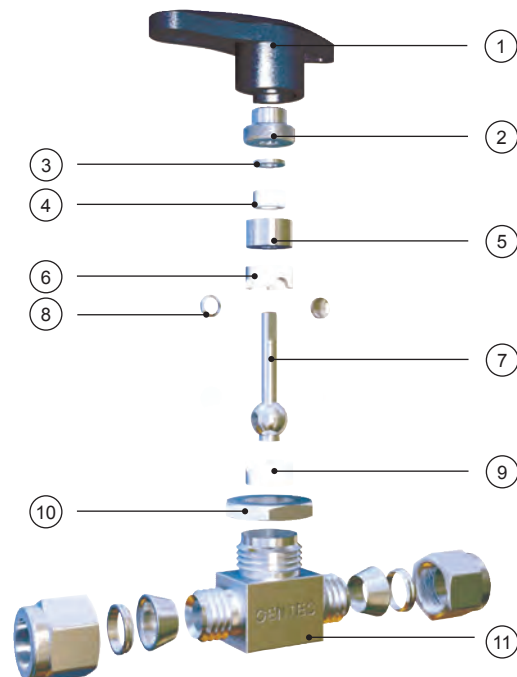


Components	Material
1 Handle	Nylon
2 Packing Bolt	316 SS
3 Upper Gland	316 SS
4 Bushing	PTFE
5 Lower Gland	316 SS
6 Upper Packing	PTFE
7 Ball Stem	316 SS
8 Side Rings	316 SS
9 Lower Packing	PTFE
10 Pannel Nut	316 SS
11 Body	316 SS

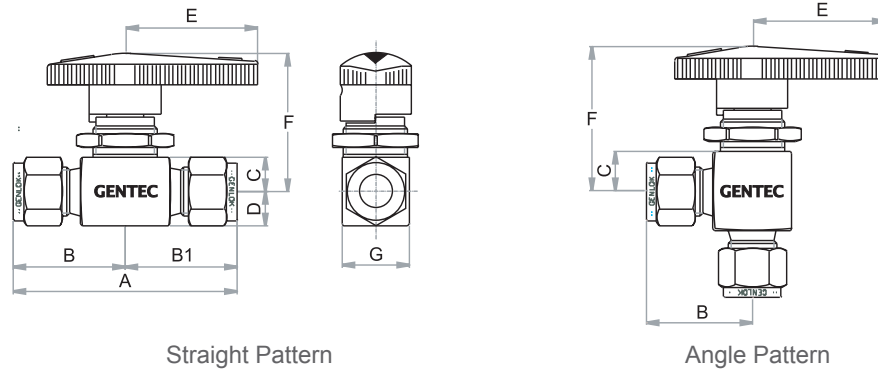
Product Features

- Maximum operating pressure: 3000 psi (207 bar)- BV15
2500 psi (172 bar)- others
(For pressure limitations under high temperature conditions, refer to pressure-temperature table)
- Operating temperature: 50°F ~ 150°F (10°C ~ 65°C)
- Handle indicates the flow direction
- End connections: GENLOK, NPT and FSR
(please refer to the tables on next page for the specifications)
- Straight pattern is standard, angle pattern is also available
- Panel mounting available
- Cleaned and degreased for oxygen service according to CGA G-4.1 and ASTM G93 Class C, respectively
- Every valve is factory tested for leakage at 1000 psi
Adjust packing nut when the working pressure is higher than 1000 psi to prevent leakage.

Materials of Construction



Dimensions



Fractional and Metric Tube Fittings

Model	Orifice (in.)	CV	CV (Right-angle Type)	Connection Type		Dimension (mm)								Panel Mounting Hole Diameter (in.)
				Inlet	Outlet	A	B	B1	C	D	E	F	G	
SS-BV13-TF2	0.093	0.20	0.15	1/8" GENLOK		2.00	1.00	1.00	0.34	0.28	1.12	1.34	0.67	0.61
SS-BV14-TF4	0.125	0.60	0.35	1/4" GENLOK		2.18	1.09	1.09	0.34	0.28	1.12	1.34	0.67	0.61
SS-BV15-TF4	0.187	2.40	0.90	1/4" GENLOK		2.38	1.19	1.19	0.44	0.37	1.53	1.53	0.78	0.79
SS-BV15-TF6	0.187	2.40	0.90	3/8" GENLOK		2.56	1.28	1.28	0.44	0.37	1.53	1.53	0.78	0.79
SS-BV16-TF6	0.281	6.00	2.0	3/8" GENLOK		3.06	1.53	1.53	0.56	0.56	2.00	2.06	1.12	1.10
SS-BV18-TF8	0.406	12.0	4.6	1/2" GENLOK		3.94	1.97	1.97	0.69	0.69	3.00	2.44	1.50	1.56
SS-BV18-TF12	0.406	12.0	3.8	3/4" GENLOK		3.94	1.97	1.97	0.69	0.69	3.00	2.44	1.50	1.56
SS-BV13-TF3M	0.09	0.2	0.15	3 mm GENLOK		2.01	1.01	1.01	0.34	0.28	1.12	1.36	0.58	0.61
SS-BV14-TF6M	0.13	0.6	0.35	6 mm GENLOK		2.21	1.10	1.10	0.34	0.28	1.12	1.36	0.58	0.61
SS-BV15-TF6M	0.19	2.4	0.90	6 mm GENLOK		2.39	1.20	1.20	0.44	0.38	1.53	1.56	0.78	0.79
SS-BV15-TF8M	0.19	1.5	0.90	8 mm GENLOK		2.46	1.23	1.23	0.44	0.38	1.53	1.56	0.78	0.79
SS-BV16-TF10M	0.28	6.0	2.0	10 mm GENLOK		3.07	1.53	1.53	0.56	0.56	2.00	2.07	1.12	1.10
SS-BV18-TF12M	0.37	12.0	4.6	12 mm GENLOK		3.92	1.96	1.96	0.69	0.69	3.00	2.43	1.50	1.56

NPT and FSR Fittings

Model	Orifice (in.)	CV	CV (Right-angle Type)	Connection Type		Dimension (in.)								Panel Mounting Hole Diameter (in.)
				Inlet	Outlet	A	B	B1	C	D	E	F	G	
SS-BV14-FNT2	0.125	0.50	0.30	1/8" Female NPT		1.62	0.81	0.81	0.34	0.28	1.12	1.34	0.67	0.61
SS-BV14-VM4	0.125	0.60	0.35	1/4" Male FSR		2.12	1.06	1.06	0.44	0.37	1.12	1.34	0.78	0.61
SS-BV15-FNT2	0.187	1.20	0.50	1/8" Female NPT		2.00	1.00	1.00	0.44	0.37	1.53	1.53	0.78	0.79
SS-BV15-FNT4	0.187	1.20	0.75	1/4" Female NPT		2.06	1.03	1.03	0.44	0.37	1.53	1.53	0.78	0.79
SS-BV15-NT4	0.187	1.20	0.75	1/4" Male NPT		2.00	1.00	1.00	0.44	0.37	1.53	1.53	0.78	0.79
SS-BV15-VM4	0.187	2.40	0.90	1/4" Male FSR		2.12	1.06	1.06	0.44	0.37	1.53	1.53	0.78	0.79
SS-BV16-FNT4	0.281	3.00	1.7	1/4" Female NPT		2.50	1.25	1.25	0.56	0.56	2.00	2.06	1.12	1.10
SS-BV16-FNT6	0.281	3.00	1.5	3/8" Female NPT		2.50	1.25	1.25	0.56	0.56	2.00	2.06	1.12	1.10
SS-BV16-VM8	0.281	6.00	1.5	1/2" Male FSR		2.88	1.44	1.44	0.56	0.56	2.00	2.06	1.12	1.10
SS-BV18-FNT8	0.406	6.30	3.5	1/2" Female NPT		3.12	1.56	1.56	0.69	0.69	3.00	2.44	1.50	1.56
SS-BV15-NT4-TF4	0.187	1.60	0.75	1/4" Male NPT	1/4" GENLOK	2.19	1.00	1.19	0.44	0.37	1.53	1.53	0.78	0.79

Ordering Information

EX: SS -	BV15 -	TF4 -	A
Body Material	Series	Inlet / Outlet Connection*	Options
SS: 316 SS	BV13, BV14, BV15, BV16, BV18	TF4: 1/4" GENLOK	A: Angle Pattern Blank: Straight Pattern

* Specifications listed in table above change to. Please refer to the chart above for the available specifications for the desired connection type.