

## Product Features

- Maximum operating pressure: 6000 psi (414 bar)  
(For pressure limitations under high temperature conditions, refer to pressure-temperature table)
- Connections: NPT and GENLOK  
(please refer to the specification tables for available dimensions)

## Seal Materials

- Fluororubber O-rings are standard,  
other materials are listed in table below:

Seal Materials	Reference Number	Temperature Rate °F(°C)
Fluororubber	-R	-10~370 (-23 ~ 190)
EPDM	-Y	-50~300 (-45 ~ 148)
Neoprene	-N	-40~250 (-40 ~ 121)

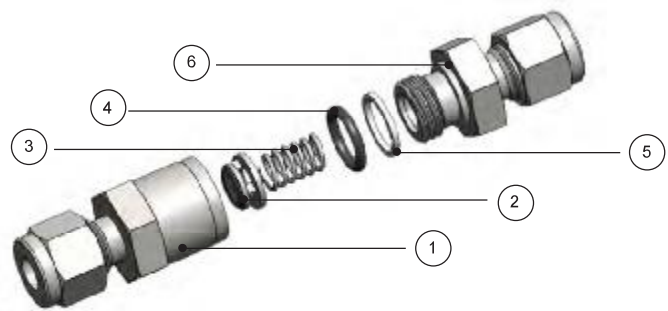
## Cracking and Reseating Pressures

Nominal Cracking pressure psi (bar)	Cracking Pressure Ranges psi (bar)	Minimum Reseating Pressure psi (bar)
1 (0.07)	2 (0.14)	6 (0.41) back pressure
3 (0.20)	2.5~4 (0.17~0.28)	6 (0.41) back pressure
10 (0.69)	8~13 (0.55~0.90)	7 (0.48)
25 (1.72)	23~28 (1.59~1.93)	20 (1.38)

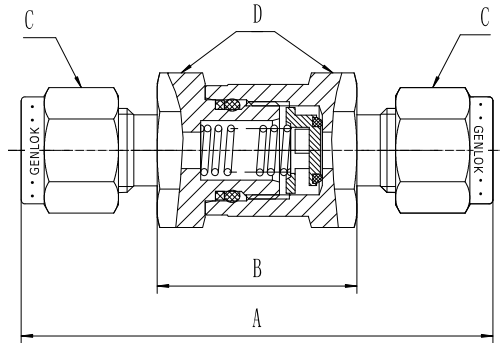
\*Cracking and Reseating Pressure at 70°F (20°C), Air

## Materials of Construction

Components	Material
1 Inlet body	316 SS
2 Poppet set	Viton bonded 316 SS
3 Spring	316 SS
4 O-ring	Fluororubber
4 Backup ring	PTFE
6 Outlet body	316 SS



**Dimensions**



Fractional and Metric Tube Fittings

Model	Orifice (in.)	CV	Connection Type		Dimension (in.)			
			Inlet	Outlet	A	B	C (Hex Flat)	D (Hex Flat)
SS-CV42-TF4	0.19	0.47	1/4" GENLOK		2.43	1.03	9/16	11/16
SS-CV43-TF6	0.33	1.8	3/8" GENLOK		2.75	1.26	11/16	1
SS-CV43-TF8	0.33	1.8	1/2" GENLOK		2.97	1.22	7/8	1

NPT and FSR Fittings

Model	Orifice (in.)	CV	Connection Type		Dimension (in.)			
			Inlet	Outlet	A	B	C (Hex Flat)	D (Hex Flat)
SS-CV42-NT2	0.19	0.47	1/8" Male NPT		1.79	0.93	-	11/16
SS-CV42-FNT2	0.19	0.47	1/8" Female NPT		1.73	1.05	-	11/16
SS-CV42-NT4	0.19	0.47	1/4" Male NPT		2.12	1.02	-	11/16
SS-CV42-FNT4	0.19	0.47	1/4" Female NPT		1.98	1.79	-	11/16
SS-CV42-VM4	0.19	0.47	1/4" FSR		2.28	1.04	-	11/16
SS-CV43-FNT6	0.33	1.8	3/8" Female NPT		2.55	1.46	-	1
SS-CV43-NT6	0.33	1.8	3/8" Male NPT		2.36	1.26	-	1
SS-CV43-NT8	0.33	1.8	1/2" male NPT		2.73	1.77	-	1
SS-CV43-FNT8	0.33	1.8	1/2" Female NPT		3.03	1.77	-	1 1/16
SS-CV43-VM8	0.33	1.8	1/2" FSR		2.74	1.02	-	1

**Ordering Information**

EX: SL -	CV42 -	NT4 -	R -	1
Body Material	Series	Inlet \ Outlet Connection*	Seal Material	Cracking Pressure
SL: 316SL	CV42, CV43	NT4: 1/4" Male NPT .....	R: Fluororubber Y: Ethylene Prorylene N: Neoprene	1: 1 psi 3: 3 psi 10: 10 psi 25: 25 psi

\* Specifications listed in table above change to. Please refer to the chart above for the available specifications for the desired connection type.