

CV52 CHECK VALVES



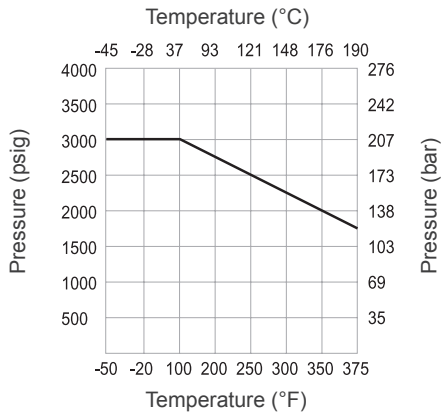
Features

- Maximum operating pressure: 3000psi (207bar)
- Connections: NPT and GENLOK (please refer to the specification tables for available dimensions)

Seal Materials

Fluororubber O-rings are standard, other materials are listed in table below:

Seal Materials	Reference Number	Temperature Range °F (°C)
Fluororubber	-R	10~370 (-23 ~ 190)
EPDM	-Y	50~300 (-45 ~ 148)
Neoprene	-N	40~250 (-40 ~ 121)

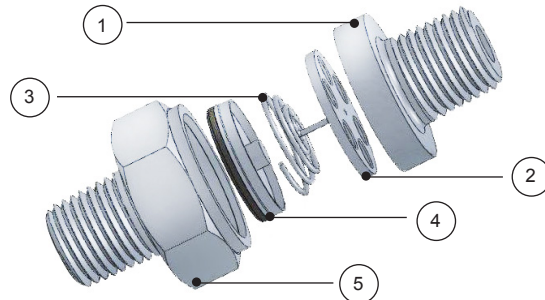


Cracking and Reseat Pressures

Nominal Cracking Pressure psi (bar)	Cracking Pressure Range psi (bar)	Minimum Reseating Pressure psi (bar)
1 (0.07)	2 (0.14)	6 (0.41) back pressure

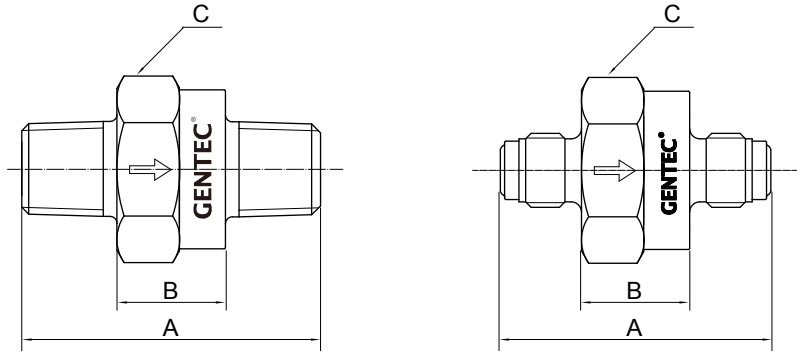
Cracking and Reseating Pressure at 70°F (20°C), Air

Components	Material
1 Inlet Body	316 SS
2 Gasket	316 SS
3 Spring	316 SS
4 Piston	Fluororubber(316 SS)
5 Outlet Body	316 SS



Materials of Construction

Dimension



Model	Hole dia. (in.)	CV	Connection Type		Dimension (in.)		
			Inlet	Outlet	A	B	C (Hex Flat)
SS-CV52-TF4	0.19	0.16	1/4" GENLOK		1.8	0.6	15/16
SS-CV52-TF6	0.28	1.48	3/8" GENLOK		1.92	0.6	15/16
SS-CV52-TF8	0.39	1.70	1/2" GENLOK		1.92	0.6	15/16
SS-CV52-NT4	0.19	0.16	1/4" Male NPT		1.83	0.6	15/16
SS-CV52-NT6	0.28	1.48	3/8" Male NPT		1.83	0.6	15/16
SS-CV52-VM4	0.19	0.16	1/4" FSR		1.83	0.6	15/16
SS-CV52-VM8	0.39	1.70	1/2" FSR		2.1	0.6	15/16

Ordering Information

Ex: SS	- CV52	- NT4	- R
Body Material	Series	Inlet/Outlet Connection	Valve Stem Form
SS: 316L	CV52	NT4: 1/4" Male NPT	R: Fluororubber Y: EPDM N: Neoprene

