

DV51 SERIES

Stainless Steel Low Pressure Diaphragm Valves

GENTEC® Valves



Handle



Pneumatic (150 psi)



Handwheel handle

Product Features

- Suitable for high purity applications
- Connections: FSR, NPT and GENLOK
- Internal spring-less design
- Metal-to-metal seal minimizes particle generation and ensures purity integrity in the flow passages
- Long service life
- 100% Helium leak tested

Materials

- Body: 316L
- Seat: PCTFE
- Diaphragm: Elgiloy®

Specifications

- Cv: 0.2
- Leak Rate
 - Inboard: 1×10^{-9} atm cc/sec He
 - Across Seat: 4×10^{-9} atm cc/sec He
- Proof Pressure: 150% of maximum operating pressure
- Burst Pressure: 400% of maximum operating pressure

Operating Conditions

- Maximum operating pressure: 300 psi (20 bar)
- Minimum operating pressure: Vacuum
- Operating temperature: 40°F ~ 150°F (-40°C ~ 65°C)

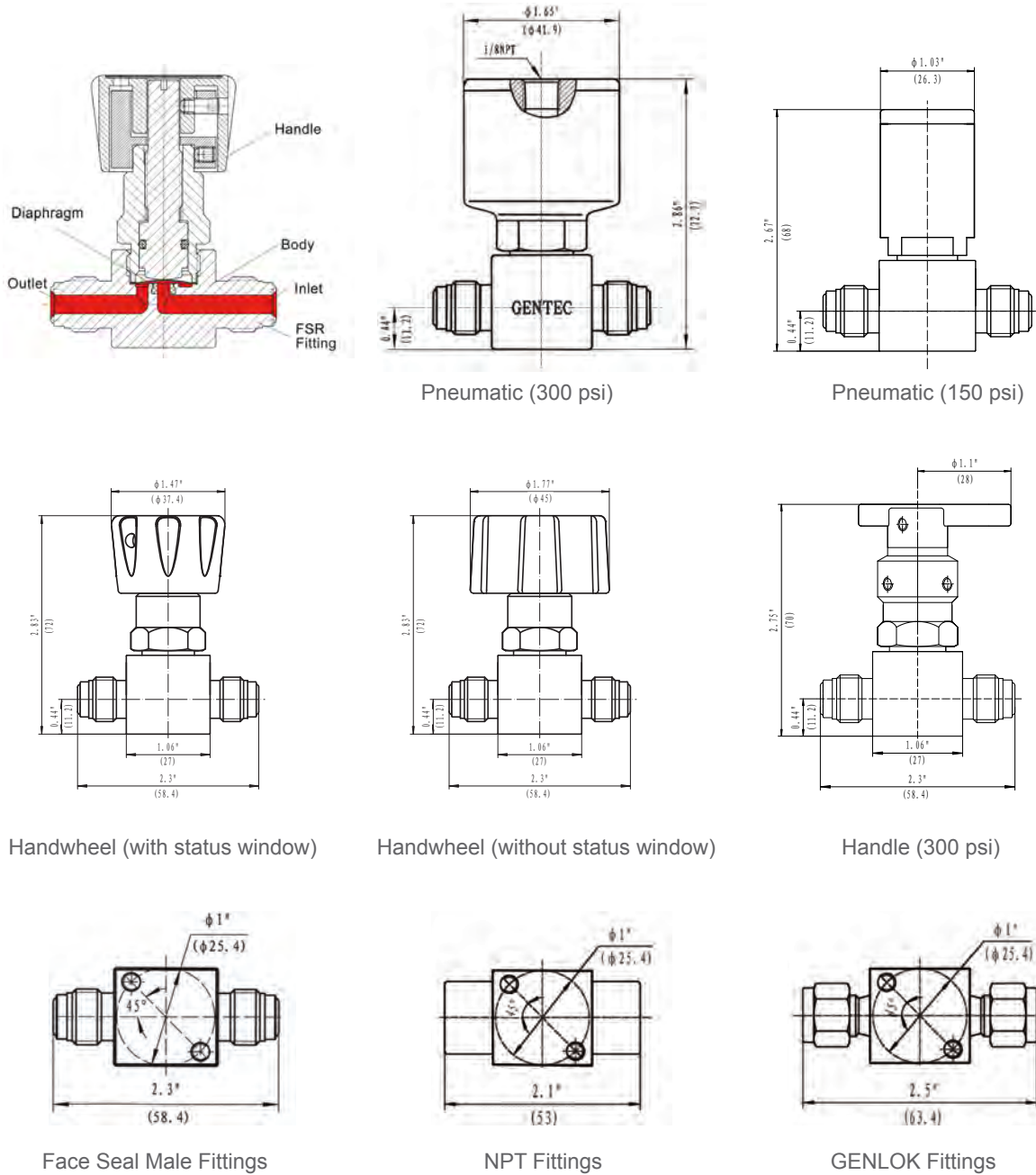
Pneumatic Actuator

- Operating pressure: 70-125 psi (DV51PL)
60-90 psi (DV51PS)
- Inlet Connection: 1/8" NPT(F)
- Working Status: Normally closed

Surface Finish

- Standard Ra: 20 μ m

Dimensions



Ordering Information

EX: SL -	DV51	M	L -	VM4 - NT4 -	NO
Body Material	Series	Actuation	Working Pressure	Inlet / Outlet Connection	Options
SL: 316L	DV51	M: Handwheel (with status window) P: Pneumatic actuator (normally closed) B: Handle N: Handwheel (without status window)	L: 300 psi S: 150 psi	NT4 FNT4 TF4 VM4	Blank: Standard NO: Normally open (Pneumatic)