

DV88 SERIES

Stainless Steel High Flow Diaphragm Valves

GENTEC® Valves



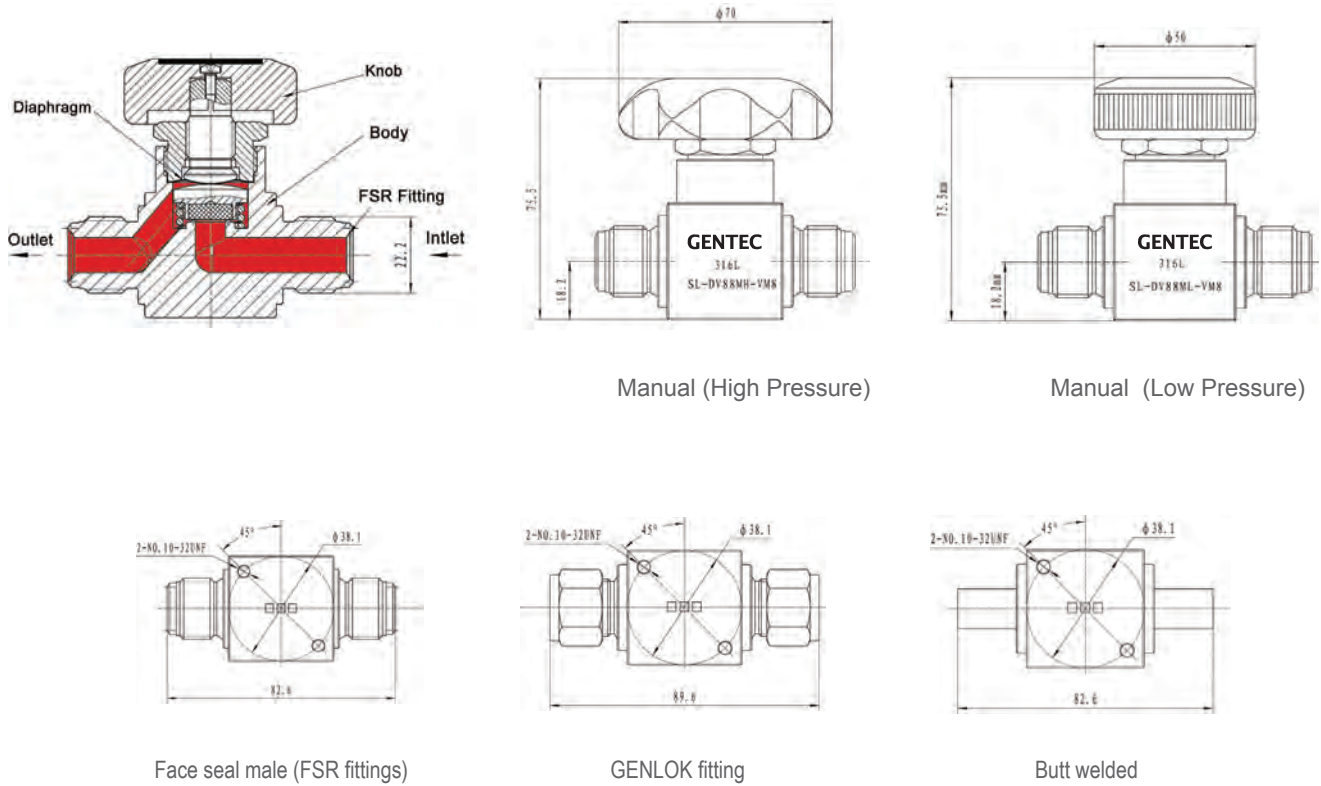
Product Features

- Suitable for ultra high purity applications
- End connections include GENLOK, Face seal fittings (FSR) and butt welded
- Cleaned and degreased for oxygen service according to CGA G-4.1 and ASTM G93 Class C, respectively
- Metal-to-metal diaphragm seal minimizes particle generation
- Long service life
- 100% Helium-leak tested

Specifications

- Body: 316L stainless steel
- Seat: PCTFE
- Diaphragm: Elgiloy®
- Maximum operating pressure:
1000 psi (69 bar), 3500 psi (240 bar)
- Operating temperature:
-40°F ~ 150°F (-40°C ~ 65°C)
- Cv: 1.0 (3500 psi); 1.5 (1000 psi)
- Standard Ra: 20 µin (BA)

Dimensions



Ordering Information

EX: SL -	DV88	N	H -	TF8
Body Material	Series	Actuation	Working Pressure	Inlet /Outlet Connection
SL: 316SL	DV88	N: Handwheel (without status window)	H: 3500 psi M: 1000 psi	VM8 TF8 TW8

Inlet & Outlet Connections		
Type	Dimensions	8 = 1/2"
VM: Face seal male (FSR fittings)	8	
TF: GENLOK fitting	8	
TW: Butt welded	8	